

OXNARD HIGH SCHOOL SWIMMING POOL REPAIR

3400 WEST GONZALES ROAD
OXNARD, CALIFORNIA 93036

OXNARD UNION HIGH SCHOOL DISTRICT

309 SOUTH K STREET
OXNARD, CALIFORNIA 93030

#	AND	HC	HANDICAPPED
@	AT	HORIZ	HORIZONTAL
Ø	DIAMETER	HT	HEIGHT
#	NUMBER	ID	INSIDE DIAMETER
±	PLUS OR MINUS	INT	INTERIOR
		INV	INVERT
ALT	ALTERNATE	JT	JOINT
AP	ACTIVITY POOL	LVR	LOUVER
BLDG	BUILDING	MATL	MATERIAL
CJ	CONTROL JOINT	MAX	MAXIMUM
CL	CHAIN LINK	MFR	MANUFACTURER
CLG	CEILING	MECH	MECHANICAL
CO	CLEANOUT	MET	METAL
CLR	CLEAR	MIN	MINIMUM
COL	COLUMN	MISC	MISCELLANEOUS
CONC	CONCRETE	(N)	NEW
CMU	CONC MASONRY UNIT	NIC	NOT IN CONTRACT
CONT	CONTINUOUS	NTS	NOT TO SCALE
DET	DETAIL	OC	ON CENTER
DIA	DIAMETER	OD	OUTSIDE DIAMETER
DIM	DIMENSION	POC	POINT OF CONNECTION
DF	DRINKING FOUNTAIN	FR	PAIR
(E)	EXISTING	RAD	RADIUS
EA	EACH	REF	REFERENCE
EG	EXISTING GRADE	REINF	REINFORCING
EJ	EXPANSION JOINT	REQD	REQUIRED
ELECT	ELECTRICAL	RM	ROOM
ELEV	ELEVATION	SCH	SCHEDULE
ENCL	ENCLOSURE	SECT	SECTION
EQ	EQUAL	SHT	SHEET
EQUIP	EQUIPMENT	SIM	SIMILAR
EXIST	EXISTING	SP	SWIMMING POOL
EXT	EXTERIOR	SQ	SQUARE
FD	FLOOR DRAIN	SST	STAINLESS STEEL
FF	FINISH FLOOR	STD	STANDARD
FFE	FINISH FLOOR ELEV	STL	STEEL
FS	FINISH GRADE	STRUC	STRUCTURAL
FOC	FACE OF CONC	T4B	TOP & BOTTOM
FOF	FACE OF FINISH	TG	TOP OF GRATE
FL	FLOOR LINE	TP	TOP OF PAVING
FS	FLOOR SINK	TYP	TYPICAL
FT	FOOT OR FEET	UNO	UNLESS NOTED OTHERWISE
FTG	FOOTING	VAR	VARIES
GALV	GALVANIZED	VERT	VERTICAL
GND	GROUND	W	WITH
HB	HOSE BIBB	WP	WATERPROOFING

ABBREVIATIONS

APPLICABLE CODES AND STANDARDS

2016 CALIFORNIA ADMINISTRATIVE CODE (CAC) (PART 1, TITLE 24, CCR)
 2016 CALIFORNIA BUILDING CODE (CBC), VOLUMES 1 & 2 (PART 2, TITLE 24, CCR)
 (2015 EDITION INTERNATIONAL BUILDING CODE W/ 2016 CALIFORNIA AMENDMENTS)
 2016 CALIFORNIA ELECTRICAL CODE (CEC) (PART 3, TITLE 24, CCR)
 (2014 NATIONAL ELECTRICAL CODE W/ 2016 CALIFORNIA AMENDMENTS)
 2016 CALIFORNIA MECHANICAL CODE (CMC) (PART 4, TITLE 24, CCR)
 (2015 IAPMO UNIFORM MECHANICAL CODE WITH 2016 CALIFORNIA AMENDMENTS)
 2016 CALIFORNIA PLUMBING CODE (CPC) (PART 5, TITLE 24, CCR)
 (2015 IAPMO UNIFORM PLUMBING CODE WITH 2016 CALIFORNIA AMENDMENTS)
 2016 CALIFORNIA ENERGY CODE (PART 6, TITLE 24, CCR)
 (2015 CALIFORNIA ENERGY COMMISSION BUILDING ENERGY EFFICIENCY STANDARDS)
 2016 CALIFORNIA FIRE CODE (CFC) (PART 9, TITLE 24, CCR)
 (2015 INTERNATIONAL FIRE CODE W/ 2016 CALIFORNIA AMENDMENTS)
 2016 CALIFORNIA GREEN CODE (PART 11, TITLE 24, CCR)
 2016 CALIFORNIA REFERENCED STANDARDS CODE (PART 12, TITLE 24, CCR)
 NFPA 13, 14, 20, 25, T2
 STATE FIRE MARSHAL - PUBLIC SAFETY (TITLE 19)
 REFERENCE CODE SECTIONS FOR APPLICABLE STANDARDS
 2016 CBC, CHAPTER 35
 2016 CFC, CHAPTER 20

APPLICABLE CODES

	REFERENCE TO DETAIL CALL OUT SYMBOL USED ON PLANS & DETAILS. NUMBER ABOVE - DETAIL IDENTITY NUMBER. NUMBER BELOW - SHEET NUMBER.
	REFERENCE TO SECTION CALL OUT SYMBOL USED ON PLANS. LETTER ABOVE - SECTION IDENTITY LETTER. NUMBER BELOW - SHEET NUMBER.
	KEYED NOTE NUMBER REFERENCE TO KEYED NOTE LIST

DRAFTING SYMBOLS

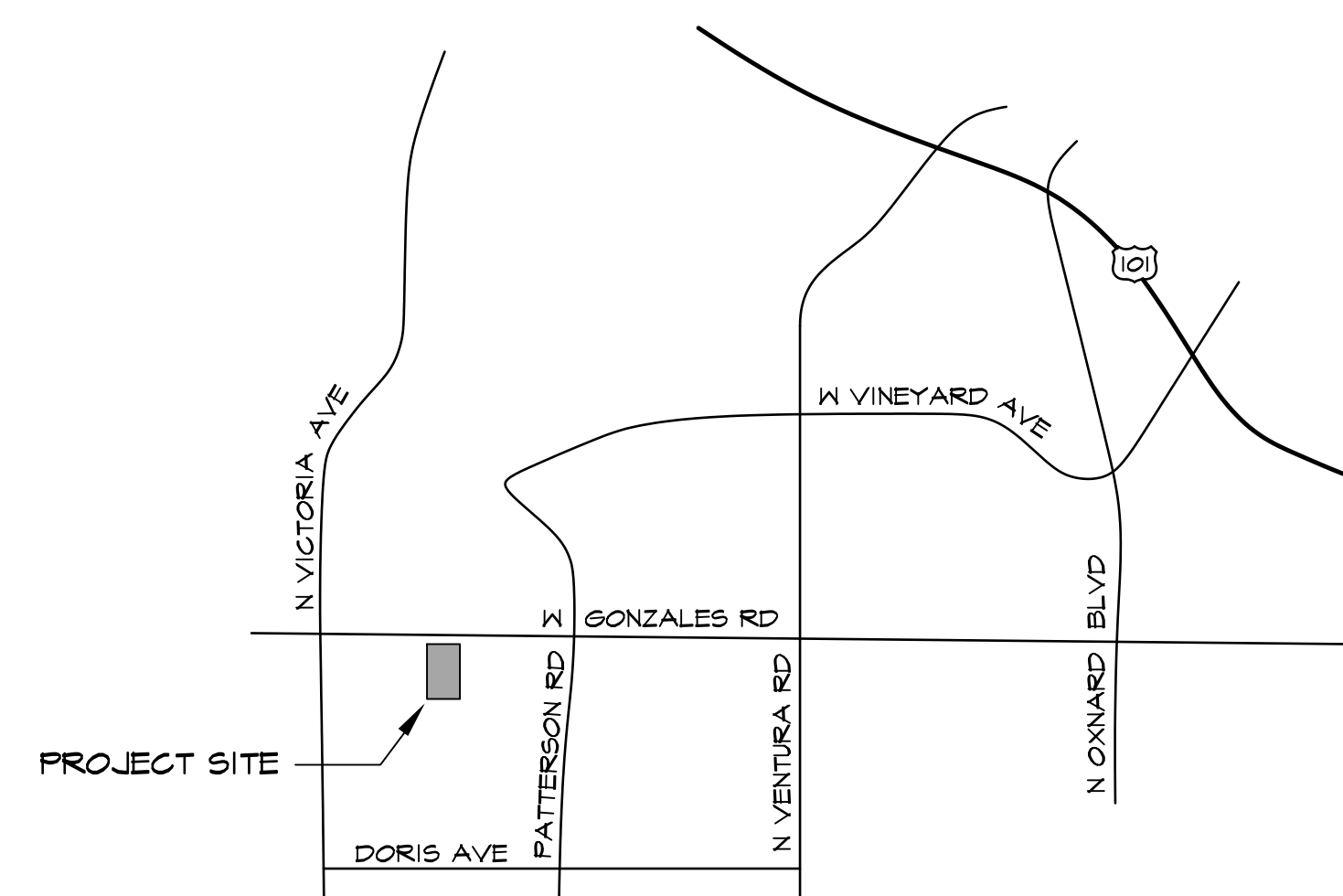
(E) SWIMMING POOL DATA

1. SURFACE AREA = 12,996 SQ FT
2. VOLUME = 670,000 GALLONS
3. TURNOVER RATE = 1,875 GPM (6 HOURS)
4. FILTER AREA = 138 SQ FT (13.6 GPM/SQ FT)
5. SURGE CAPACITY = 19,000 GALLONS
6. POOL CAPACITY = 617 PEOPLE
7. CIRCULATION PUMP - AURORA #340 6x6x11, 40 HP
8. MAIN DRAIN GRATE - NEPTUNE BENSON AEGIS #5050AEG

HEALTH CODE DATA

1. REMOVE & REPLACE POOL PLASTER FINISH & PROTECT TILE FINISHES.
2. INSTALL CONC COATING ON POOL DECK SLAB & GUTTER CANTILEVER.
3. REPLACE POOL & DECK EXPANSION JOINT SEALANT & BACKER ROD.
4. ADDITIONAL MISC WORK AS INDICATED.

SCOPE OF WORK



VICINITY MAP

- | | |
|-------|------------------------|
| T1.1 | TITLE SHEET |
| D1.1 | DEMOLITION PLAN |
| D2.1 | DEMOLITION DETAILS |
| SPI.1 | SWIMMING POOL PLAN |
| SPI.2 | SWIMMING POOL SECTIONS |
| SP2.1 | SWIMMING POOL DETAILS |

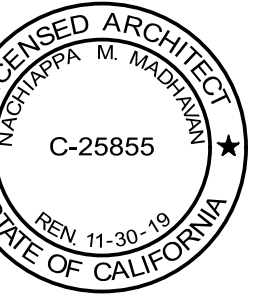
SHEET INDEX



JONES & MADHAVAN
ARCHITECTURE
ENGINEERING

100 EAST THOUSAND OAKS BOULEVARD, SUITE 211
THOUSAND OAKS, CALIFORNIA 91320
TEL 805.777.8449 - FAX 805.777.8489

PROFESSIONAL SEAL



CONSULTANT

APPROVALS

REVISIONS

NO.	DATE	DESCRIPTION
△		
△		
△		
△		
△		
△		

**OXNARD HIGH SCHOOL
SWIMMING POOL REPAIR**
3400 WEST GONZALES ROAD
OXNARD, CALIFORNIA 93036

PHASE

BID SET

SHEET TITLE

TITLE SHEET

DESIGNED BY:

NM SHEET NO. 1 OF 6

CHECKED BY:

DJ

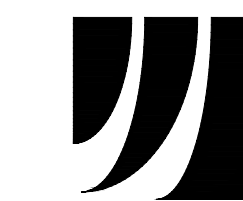
JMAE PROJ. #

18-04

DATE

6-14-19

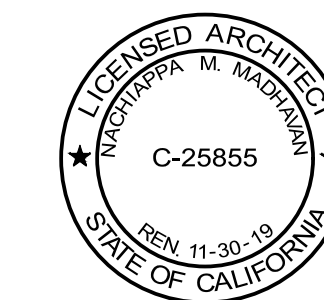
T1.1



JONES & MADHAYAN
ARCHITECTURE
ENGINEERING

100 EAST THOUSAND OAKS BOULEVARD, SUITE 211
THOUSAND OAKS, CALIFORNIA 91320
TEL: 805.777.8449 • FAX: 805.777.8489

PROFESSIONAL SEAL



CONSULTANT

APPROVALS

NO.	DATE	DESCRIPTION

**OXNARD HIGH SCHOOL
SWIMMING POOL REPAIR**
3400 WEST GONZALES ROAD
OXNARD, CALIFORNIA 93036

PHASE
BID SET

SHEET TITLE
DEMOLITION PLAN

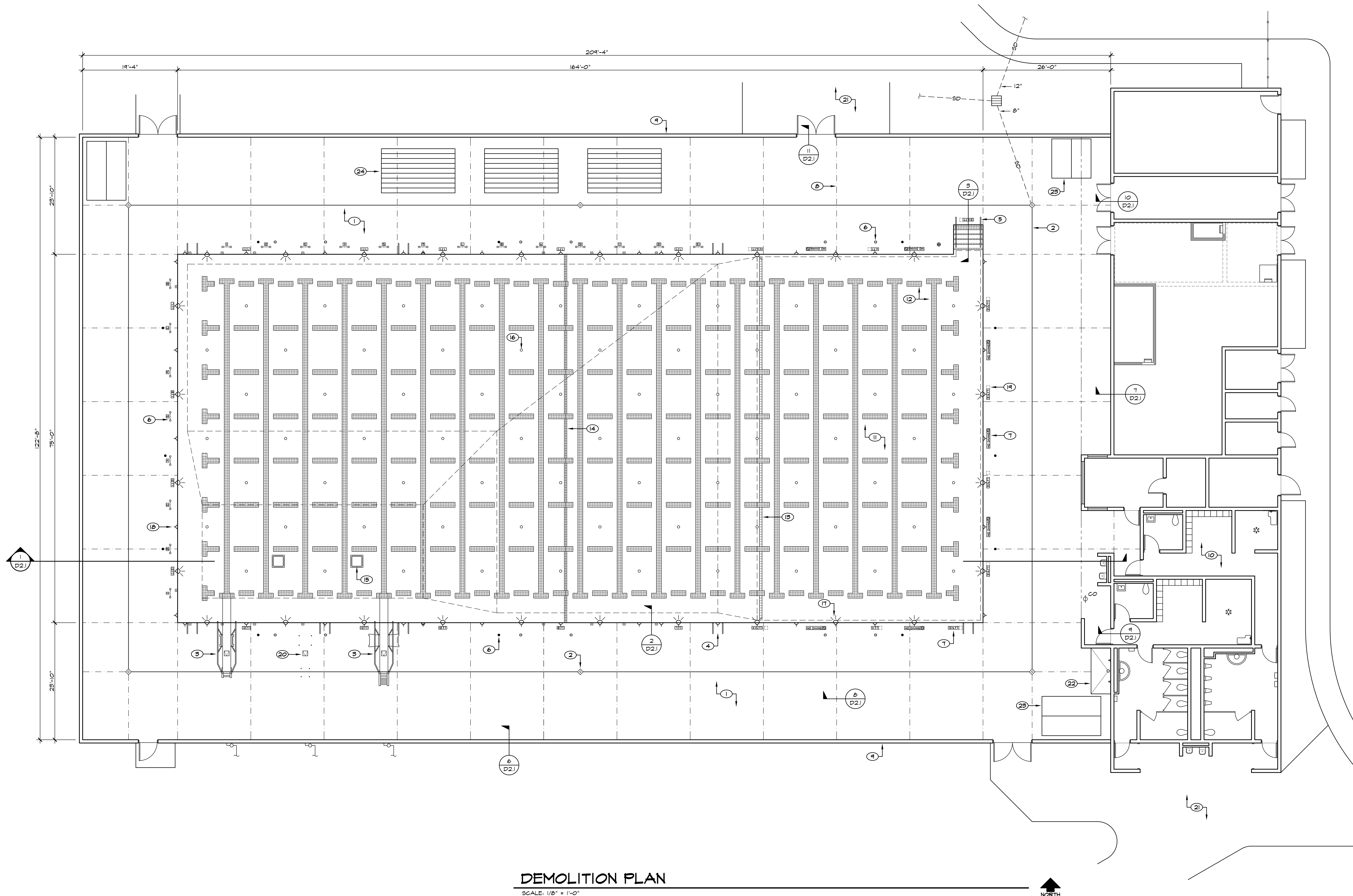
DESIGNED BY: NMM SHEET NO. 2 OF 6

CHECKED BY: DJJ

DATE: 08/04

DATE: 6-14-19

D1.1



DEMOLITION PLAN
SCALE: 1/8" = 1'-0"

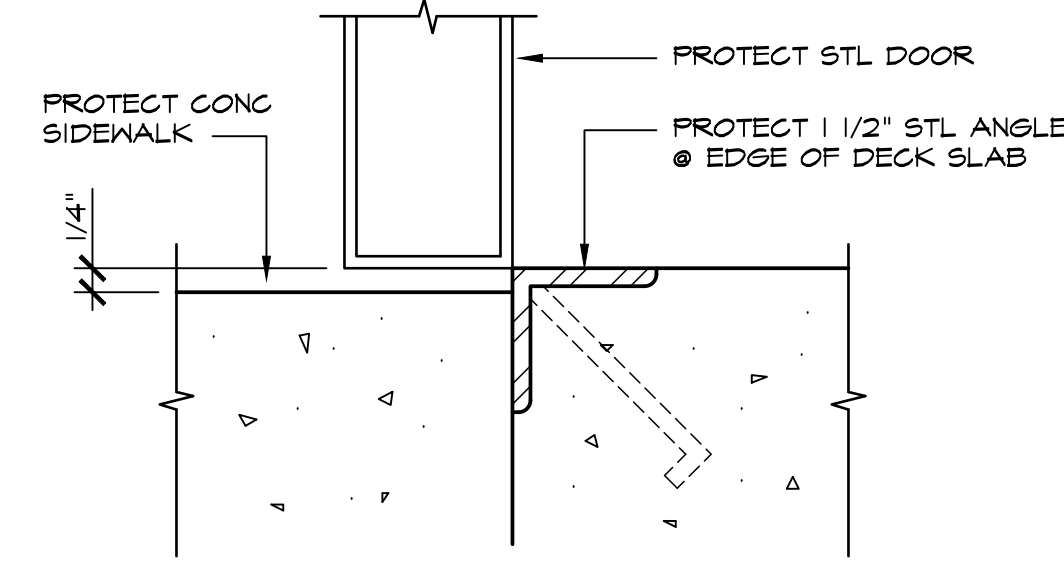
SYMBOL	DESCRIPTION	KEYED NOTE
	DEPTH MARKER (TYP 24)	⑦
	ROPE ANCHOR (TYP 62)	⑩
	GRAB RAILS (TYP 6 PR)	④
	TILE WATER POLO MAKER	⑦
	STANCHION SOCKET (TYP 12)	⑥
	STARTING PLATFORM ANCHOR (TYP 2)	⑥
	POOL LIGHT (TYP 28)	⑪
	WATER POLO GOAL SOCKET (TYP 6 PR)	⑥
	TILE LANE MARKER (TYP 27)	⑫
	EXPANSION JOINT	⑧
	CONSTRUCTION JOINT	
	FLOOR INLET (TYP 10)	⑬
	MAIN DRAIN GRATE (TYP 2)	⑮

GENERAL NOTES

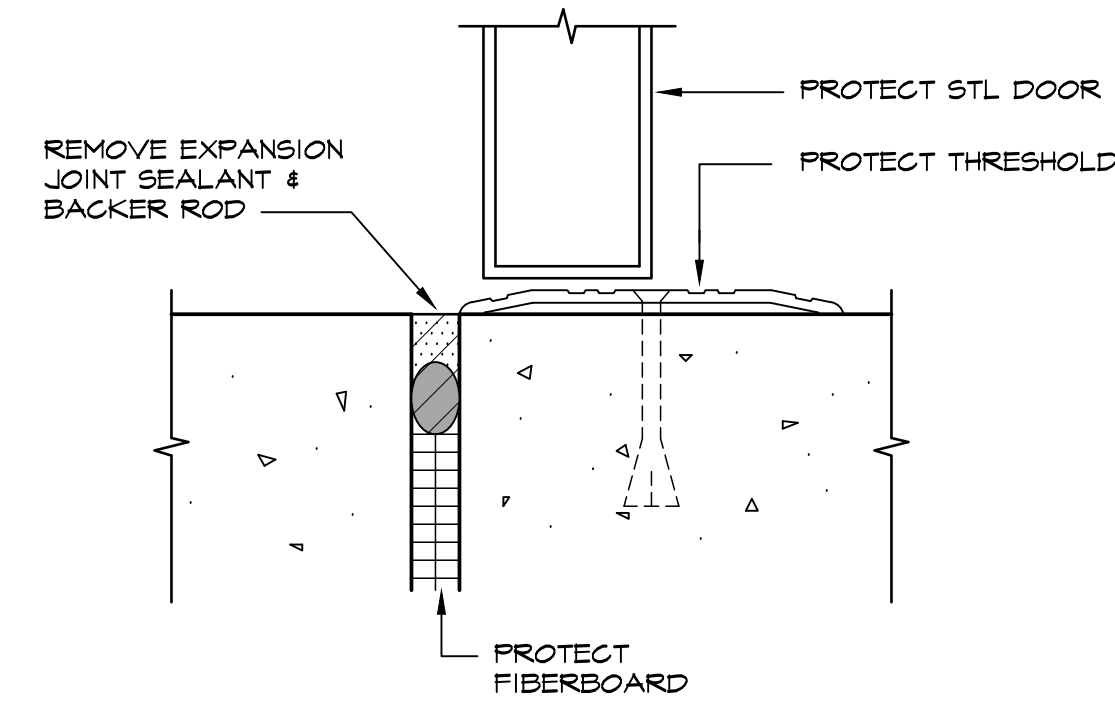
- VERIFY (E) CONDITIONS PRIOR TO STARTING WORK & NOTIFY ARCHITECT OF ANY DISCREPANCIES.
- PROTECT (E) ITEMS WHICH ARE NOT INDICATED TO BE REMOVED.
- SAW CUT PLASTER ALONG POOL TILE & PROTECT TILE DURING DEMOLITION.
- CHIP & REMOVE PLASTER FINISH COMPLETE TO EXPOSE CONG POOL SHELL.
- REMOVE & REPLACE DAMAGED POOL TILE AREAS AS INDICATED.

KEYED NOTES

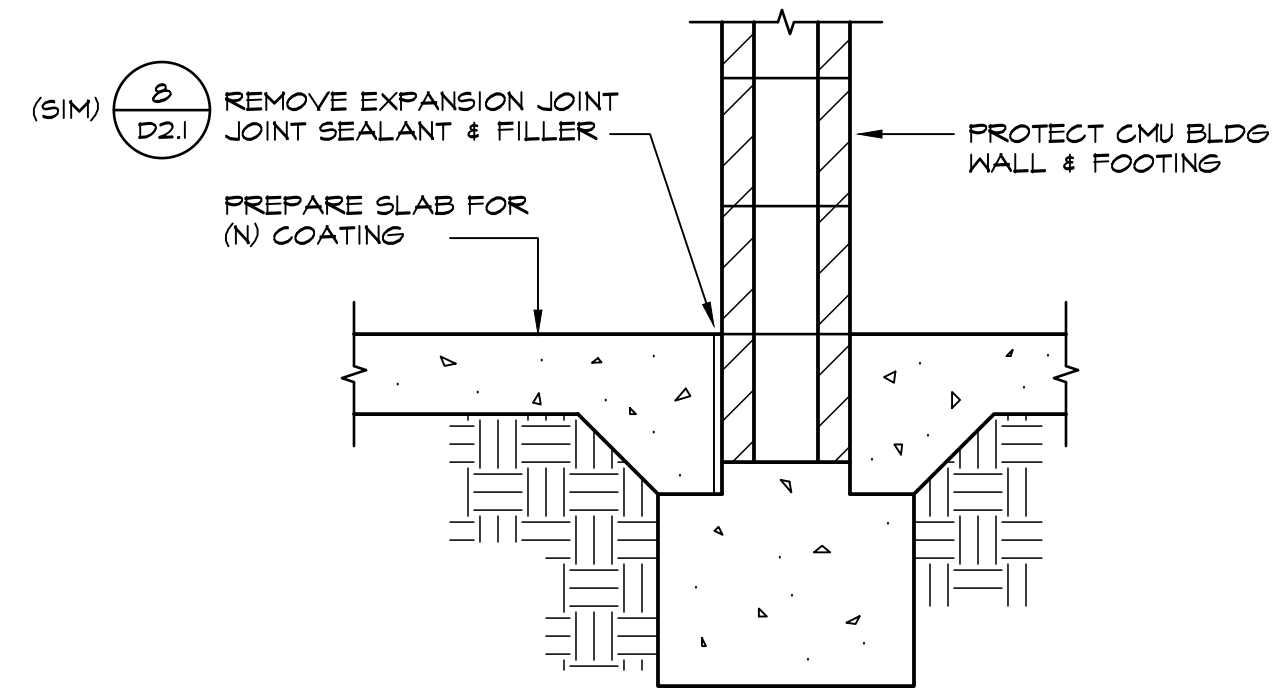
① PREPARE CONG DECK SLAB & CANTILEVER FOR (N) COATING	⑮ REMOVE, PROTECT & REINSTALL MAIN DRAIN GRATES
② PROTECT SLOT DRAIN PIPE & GRATES	⑯ PROTECT FLOOR INLET FITTINGS
③ PROTECT DIVING STANDS	⑰ PROTECT UNDERWATER LIGHTS
④ PROTECT GRAB RAILS & ANCHORS, SEE 4/D2.1	⑱ PROTECT ROPE ANCHORS & BACK WALL OF GUTTER
⑤ PROTECT STAIR HANDRAILS & ANCHORS, SEE 5/D2.1	⑲ SAW CUT & REMOVE CONG 1/2" DEEP FOR (N) NO DIVING GRAPHIC (TYP 10)
⑥ PROTECT EMBEDDED DECK EQUIPMENT ANCHORS	⑳ PROTECT DIVING SPRAY VALVE BOX & COVER (TYP 3)
⑦ PROTECT TILE DEPTH MARKERS & SIGNS	㉑ PROTECT SIDEWALKS & PAVING AROUND FACILITY
⑧ REMOVE DECK EXPANSION JOINT SEALANT (TYP), SEE 5/D2.1	㉒ PROTECT OUTDOOR SHOWER SLAB
⑨ PROTECT CMU PERIMETER WALL & DOORS	㉓ MOVE WOOD STORAGE SHED FOR DECK WORK & SET BACK IN PLACE (TYP 3)
⑩ PROTECT POOL LOCKER & EQUIPMENT BLDG	㉔ MOVE ALUMINUM BLEACHER FOR DECK WORK & SET BACK IN PLACE (TYP 3)
⑪ REMOVE POOL PLASTER FINISH	
⑫ PROTECT TILE LANE MARKERS & TARGETS	
⑬ PROTECT SLOPE BREAK TILE BAND	
⑭ REMOVE EXPANSION JOINT SEALANT & PROTECT TILE, SEE 5/D2.1	



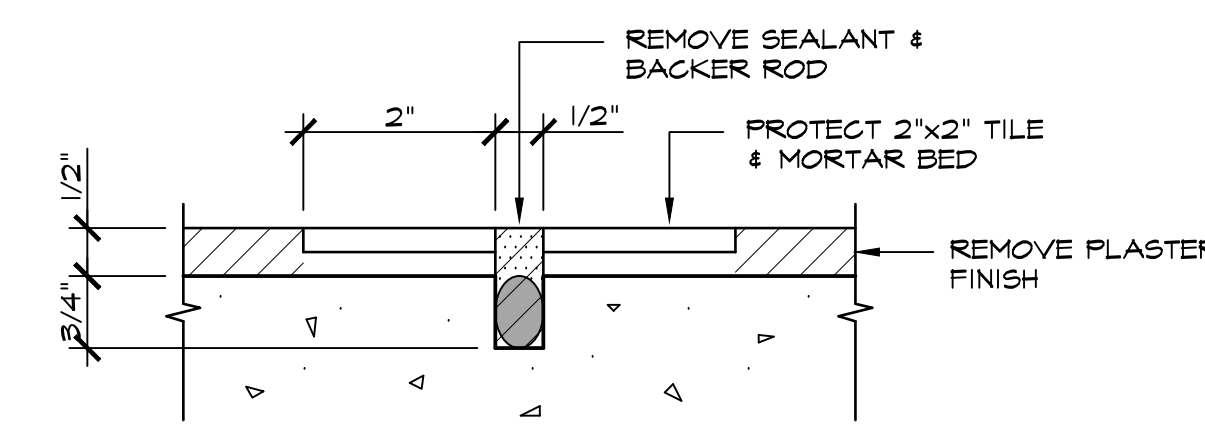
THRESHOLD @ WALL (11)
SCALE: HALF SIZE



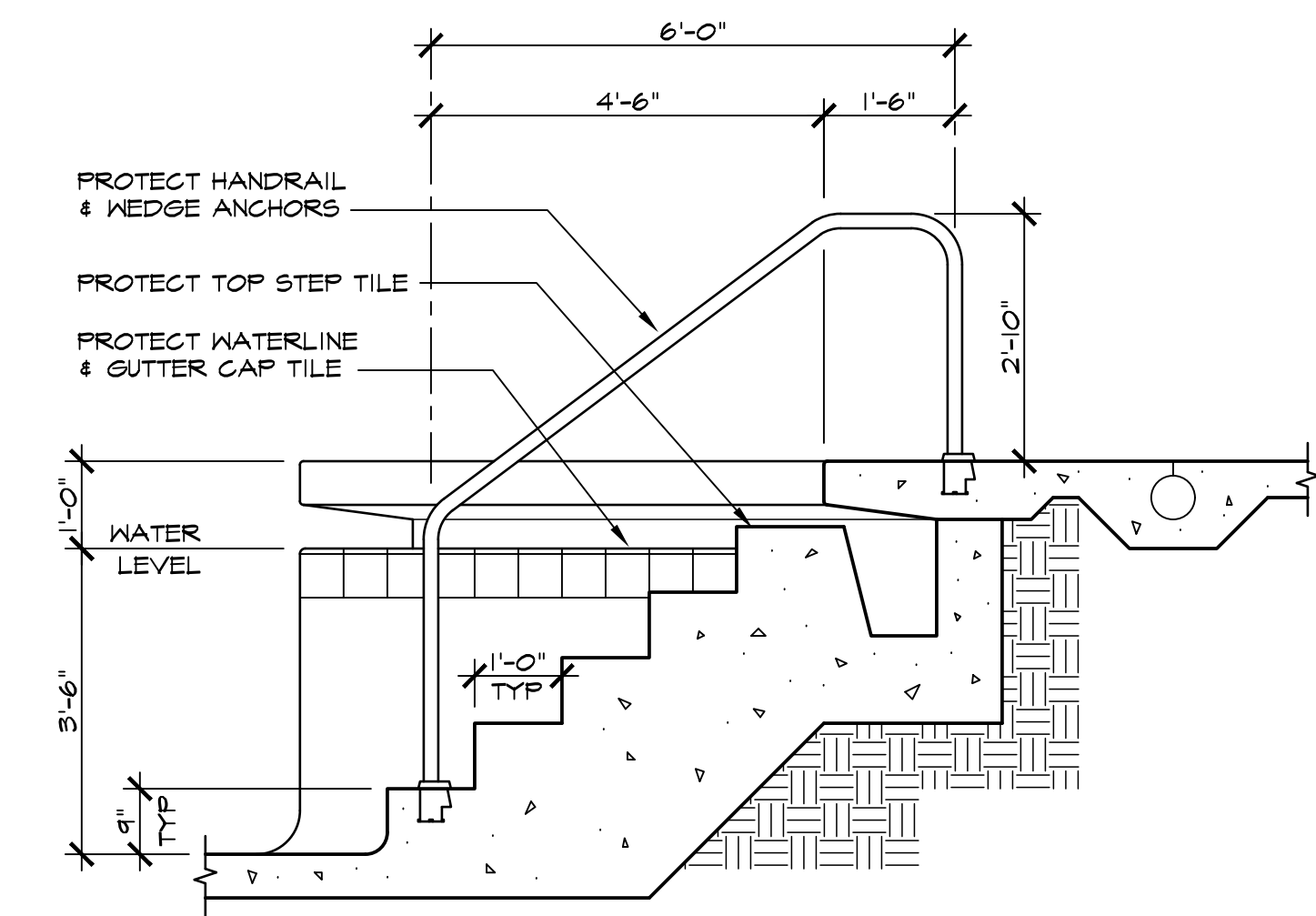
THRESHOLD (9)
SCALE: HALF SIZE



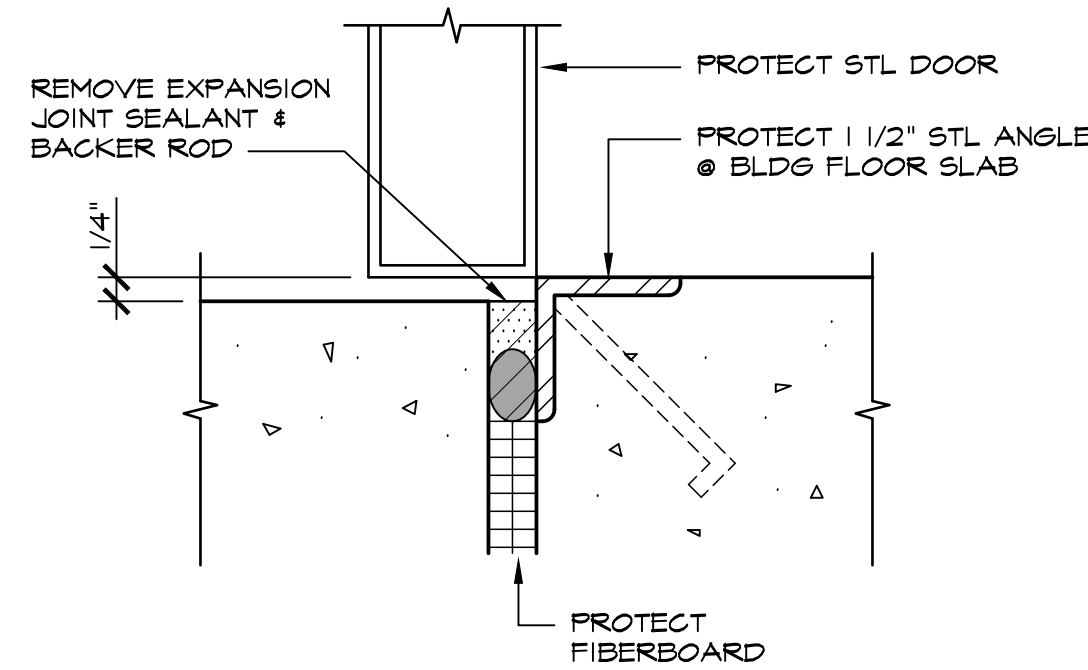
DECK EDGE @ BLDG (7)
SCALE: 1" = 1'-0"



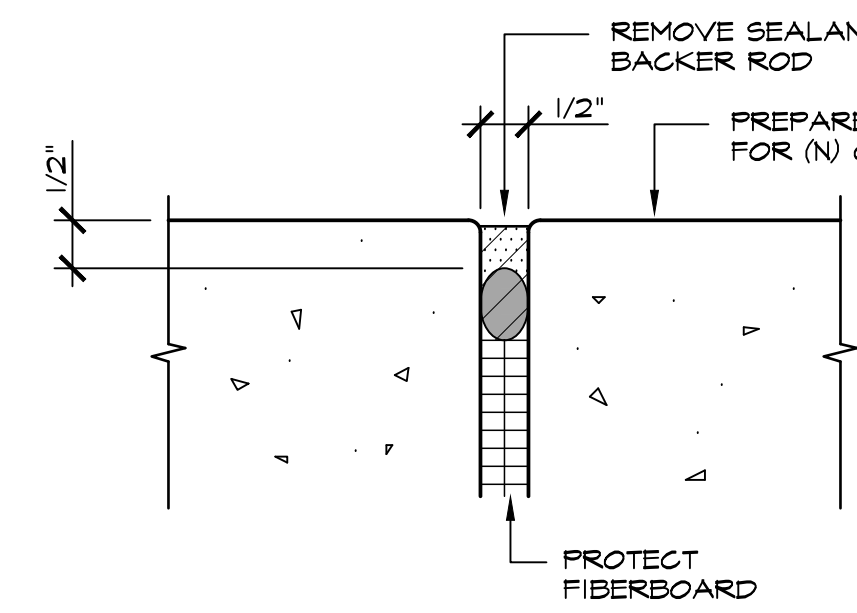
POOL EXPANSION JOINT (5)
SCALE: HALF SIZE



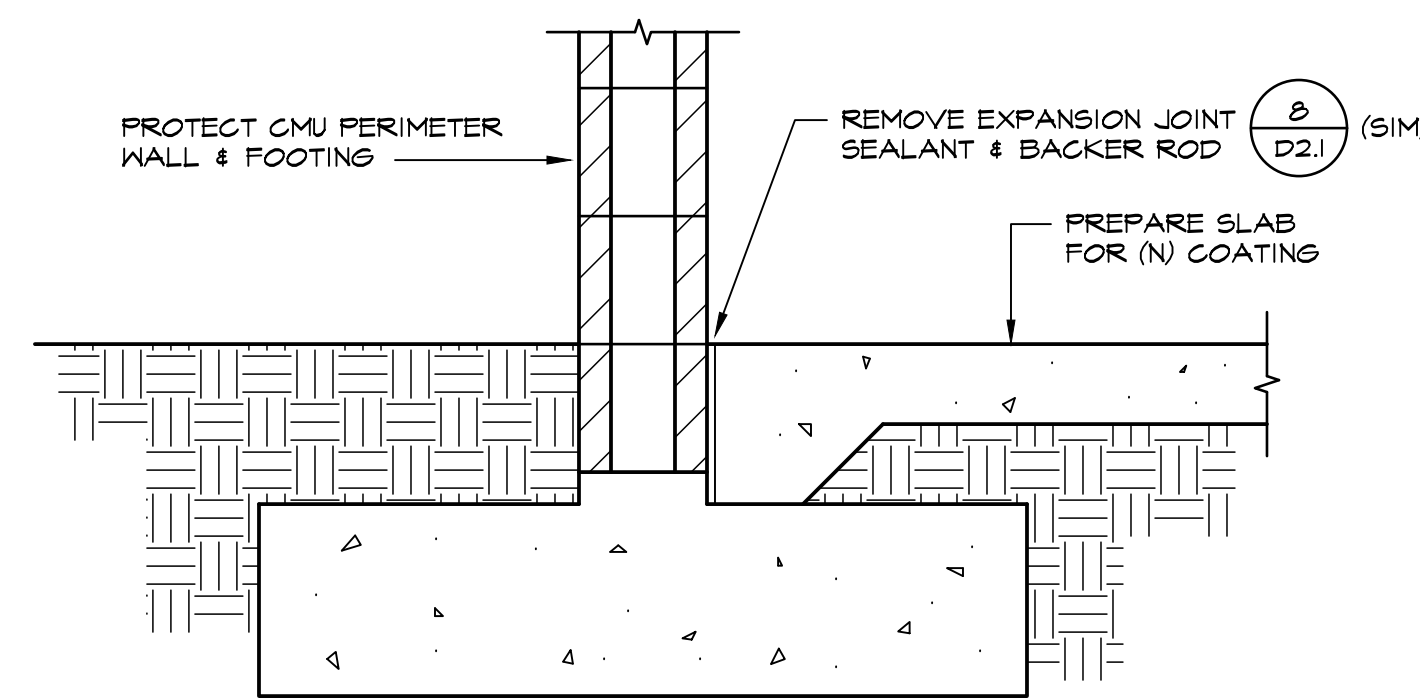
STAIR SECTION (3)
SCALE: 1/2" = 1'-0"



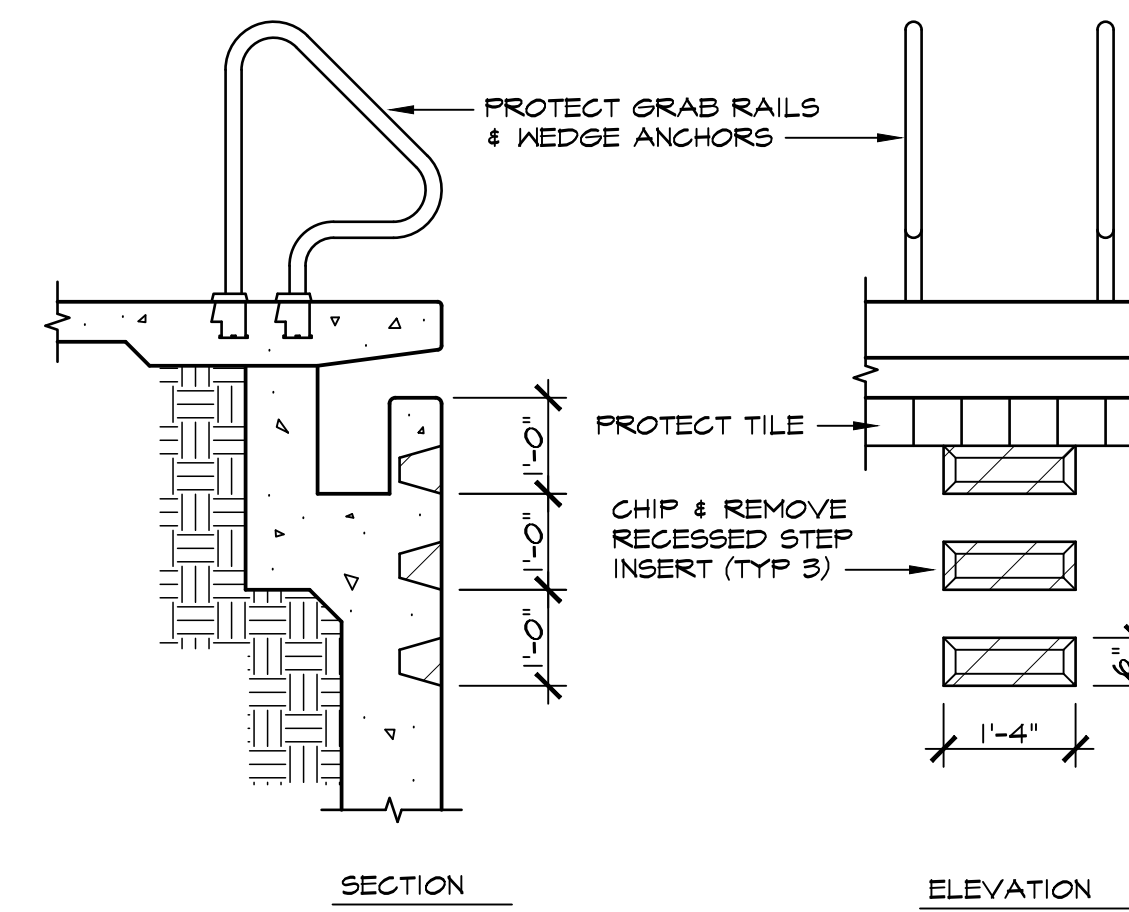
THRESHOLD (10)
SCALE: HALF SIZE



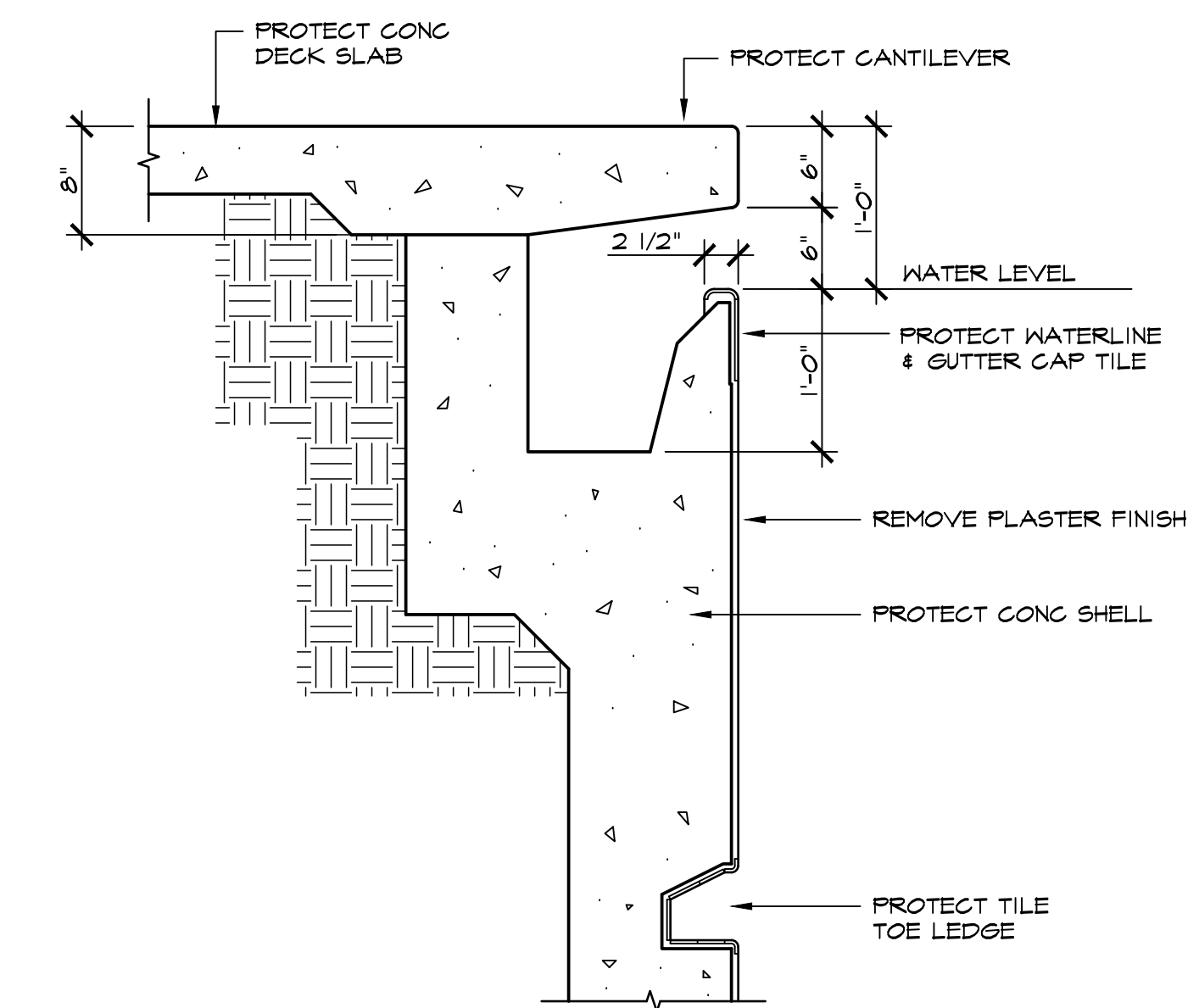
EXPANSION JOINT (8)
SCALE: HALF SIZE



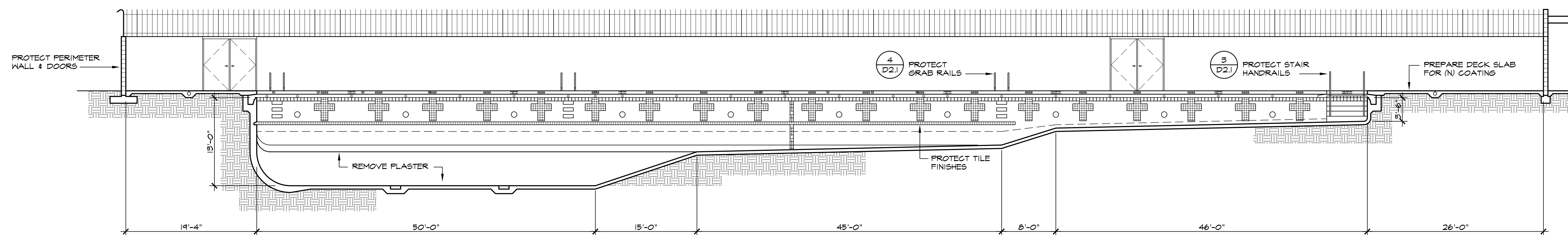
DECK EDGE @ WALL (6)
SCALE: 1" = 1'-0"



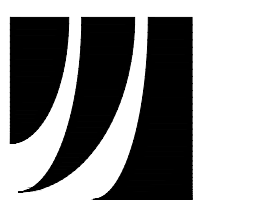
GRAB RAILS (4)
SCALE: 1/2" = 1'-0"



GUTTER SECTION (2)
SCALE: 1" = 1'-0"



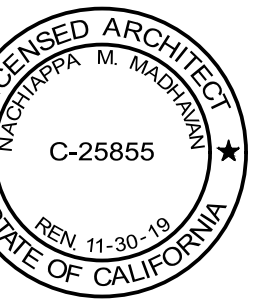
SWIMMING POOL SECTION (1)
SCALE: 1/8" = 1'-0"



JONES & MADHAVAN
ARCHITECTURE
ENGINEERING

100 EAST THOUSAND OAKS BOULEVARD, SUITE 211
THOUSAND OAKS, CALIFORNIA 91320
TEL: 805.777.8449 • FAX: 805.777.8489

PROFESSIONAL SEAL



CONSULTANT

APPROVALS

REVISIONS

NO.	DATE	DESCRIPTION
△		
△		
△		
△		
△		
△		

**OXNARD HIGH SCHOOL
SWIMMING POOL REPAIR**
3400 WEST GONZALES ROAD
OXNARD, CALIFORNIA 93036

PHASE

BID SET

SHEET TITLE

**DEMOLITION
DETAILS**

DESIGNED BY:

NM

CHECKED BY:

DJ

DATE PROJ. #

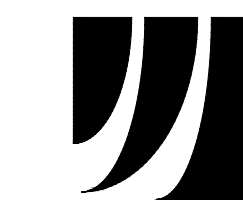
10.04

DATE

6-14-19

SHEET NO. 3 OF 6

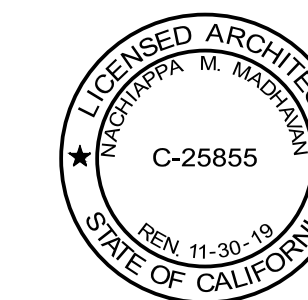
D2.1



JONES & MADHAYAN
ARCHITECTURE
ENGINEERING

100 EAST THOUSAND OAKS BOULEVARD, SUITE 211
THOUSAND OAKS, CALIFORNIA 91320
TEL 805.777.8449 • FAX 805.777.8489

PROFESSIONAL SEAL



CONSULTANT

APPROVALS

REVISIONS	NO.	DATE	DESCRIPTION

OXNARD HIGH SCHOOL
SWIMMING POOL REPAIR
3400 WEST GONZALES ROAD
OXNARD, CALIFORNIA 93036

PHASE

BID SET

SHEET TITLE

**SWIMMING POOL
PLAN**

DESIGNED BY

NM SHEET NO. 4 OF 6

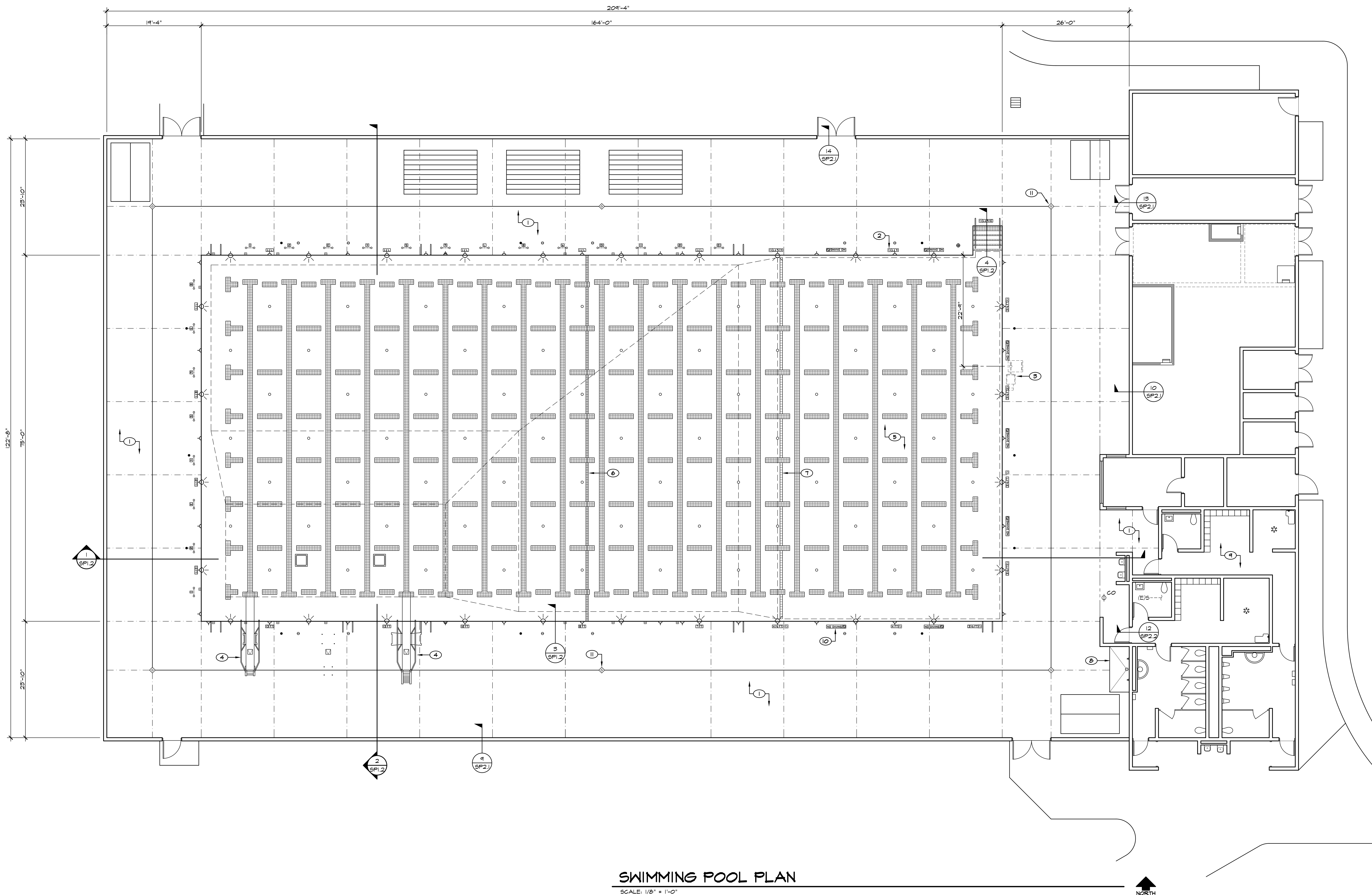
CHECKED BY

DJ

DATE

6-14-19

SP1.1



SWIMMING POOL PLAN

SCALE: 1/8" = 1'-0"

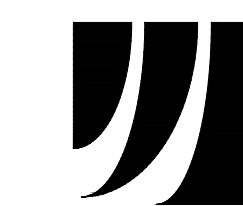
SYMBOL	DESCRIPTION	REFERENCE	SYMBOL	DESCRIPTION	REFERENCE
	(E) DEPTH MARKER (TYP 24)	1/SP2.1		(E) WATER POLO GOAL SOCKET (TYP 6 FR)	-
	(E) ROPE ANCHOR (TYP 62)	-		(E) TILE WATER POLO MARK (TYP 20)	8/SP2.1
	(E) GRAB RAILS (TYP 8 FR)	3/SP2.1		(E) TILE LANE MARKER (TYP 21)	-
	(E) DISABLED LIFT SOCKET	-		(E) EXPANSION JOINT	11/SP2.1
	(E) STANCHION SOCKET (TYP 12)	-		(E) CONSTRUCTION JOINT	-
	(E) STARTING PLATFORM ANCHOR (TYP 21)	-		(E) FLOOR INLET (TYP 10)	7/SP2.1
	(E) POOL LIGHT (TYP 28)	-		(E) MAIN DRAIN GRATE (TYP 2)	-

GENERAL NOTES

- CLEAN (E) POOL & DECK TILE, PRESSURE WASH JOINTS TO REMOVE LOOSE GROUT & REGROUT TILE.
- INCLUDE REPLACEMENT OF 5 SQ FT OF DAMAGED 1'x1' UNGLAZED CERAMIC TILE ON DECK.
- INCLUDE REPLACEMENT OF 10 SQ FT OF DAMAGED 2'x2' UNGLAZED CERAMIC TILE IN POOL.
- CUT OUT ANY RUSTED REBAR ON SURFACE OF EXPOSED CONCRETE POOL SHELL & PATCH W/ NON-SHRINK GROUT.
- PREPARE (E) CONG DECK SURFACE & VERTICAL FACE OF CANTILEVER IN ACCORDANCE W/ COATING MFR'S INSTALLATION INSTRUCTIONS, INCLUDING REPAIR OF ALL CRACKS & SPALLS.
- CLEAN OUT (E) SLOT DRAIN OPENING & FLUSH PIPE TO REMOVE CONSTRUCTION DEBRIS.

KEYED NOTES

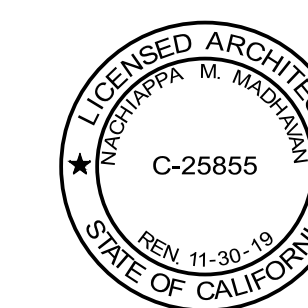
- (N) SLIP-RESISTANT CEMENTITIOUS DECK COATING, WESTCOAT TEXTURE-CRETE, ENDURO PRODUCTS ENDURO-DEK, OR MULTICOAT KRETE KOAT
- (N) NO DIVING GRAPHIC @ SHALLOW END (TYP 10), SEE 2/SP2.1
- (N) PORTABLE DISABLED ACCESS LIFT, SEE 5/SP2.1
- (E) DIVING STAND (TYP 2)
- (N) 1/2" MIN WHITE PLASTER FINISH
- (N) POOL EXPANSION JOINT SEALANT, SEE 4/SP2.1
- (E) SLOPE BREAK TILE BAND
- (E) OUTDOOR SHOWER SLAB
- (E) LOCKER & EQUIPMENT BLDG
- CLEAN & REGROUT (E) 1'x1' TILE NO DIVING SIGNS (TYP 1)
- WIRE BRUSH & CLEAN (E) SLOT DRAIN GRATE & PAINT W/ ZINC RICH GALVANIZED COATING (TYP 6)



JONES & MADHAVAN
ARCHITECTURE
ENGINEERING

100 EAST THOUSAND OAKS BOULEVARD, SUITE 211
THOUSAND OAKS, CALIFORNIA 91320
TEL 805.777.8449 • FAX 805.777.8489

PROFESSIONAL SEAL



CONSULTANT

APPROVALS

REVISIONS

NO.	DATE	DESCRIPTION
△		
△		
△		
△		
△		
△		

**OXNARD HIGH SCHOOL
SWIMMING POOL REPAIR**
3400 WEST GONZALES ROAD
OXNARD, CALIFORNIA 93036

PHASE

BID SET

SHEET TITLE

**SWIMMING POOL
SECTIONS**

DESIGNED BY

NM SHEET NO. 5 OF 6

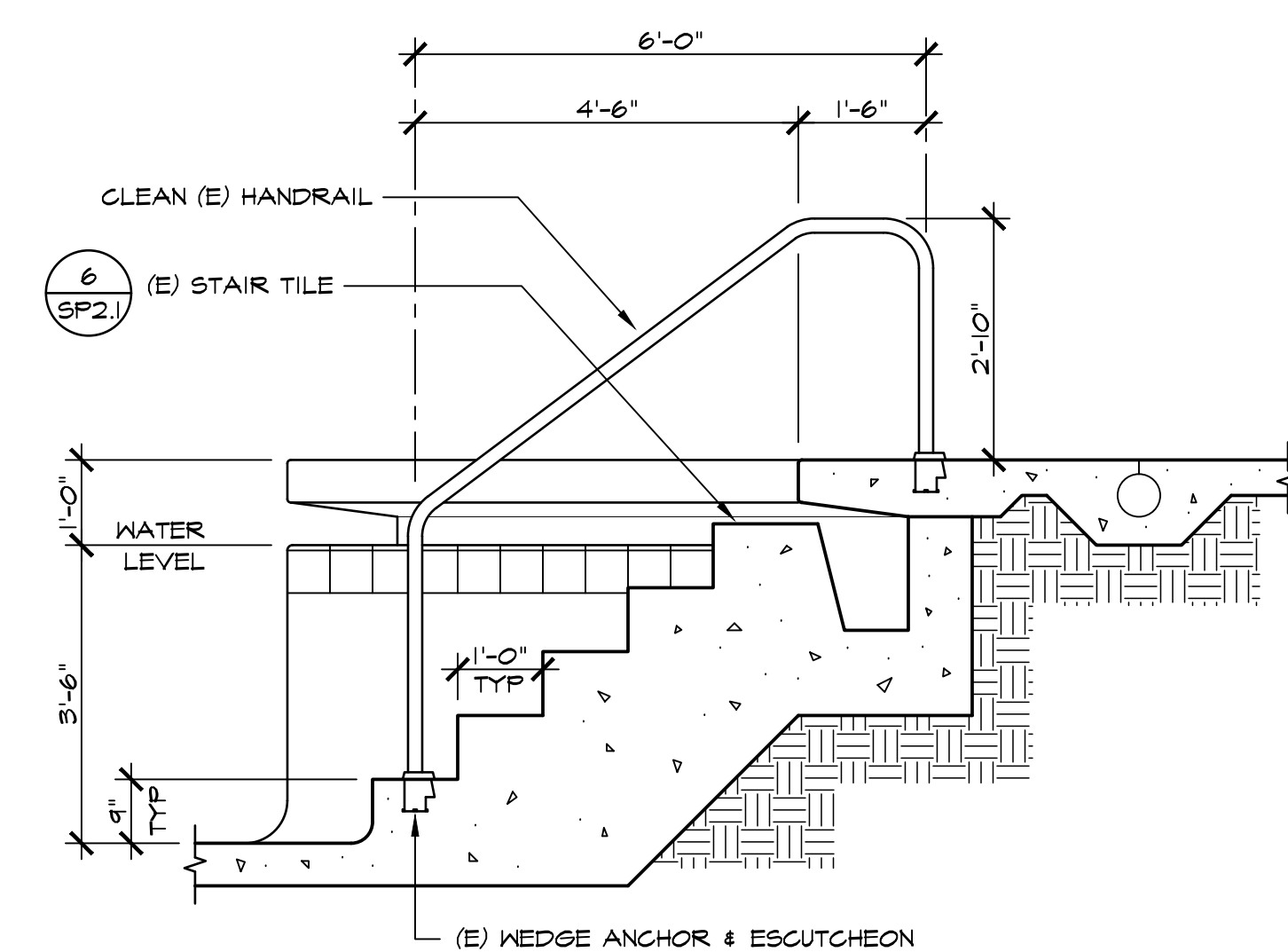
CHECKED BY

DJ

DATE

6-14-19

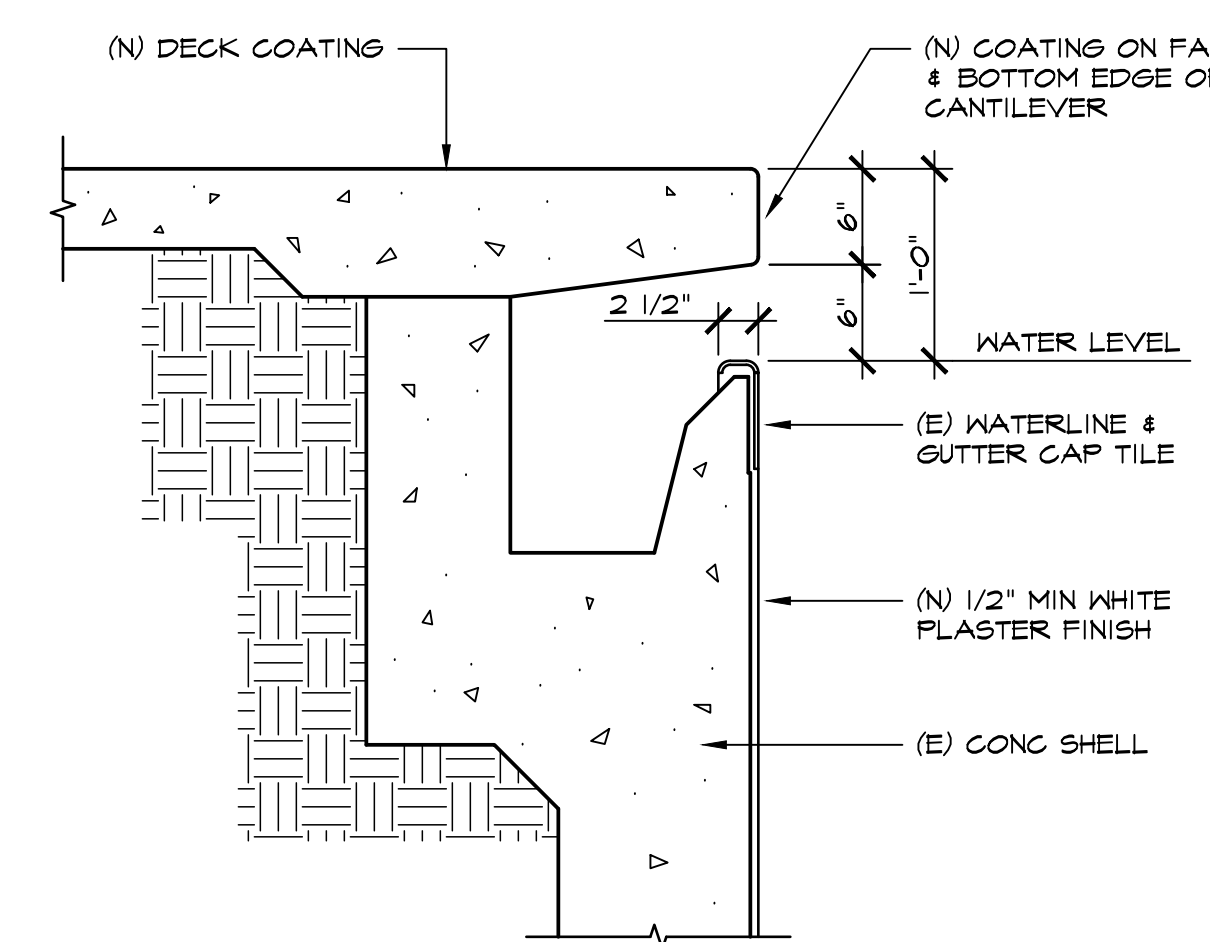
SP1.2



STAIR SECTION

SCALE: 1/2" = 1'-0"

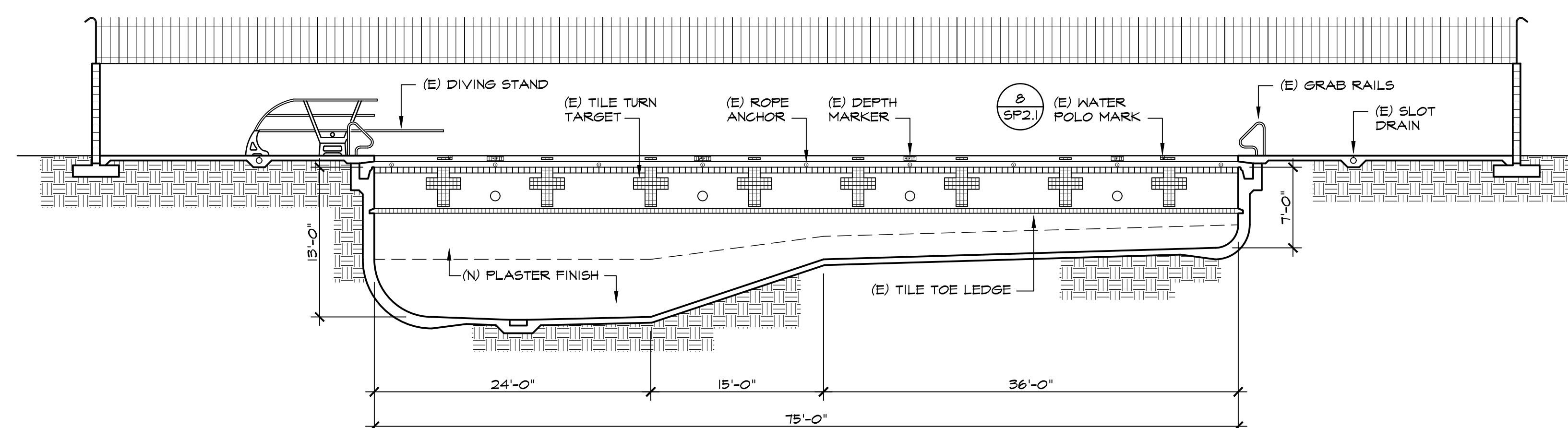
4



GUTTER SECTION

SCALE: 1" = 1'-0"

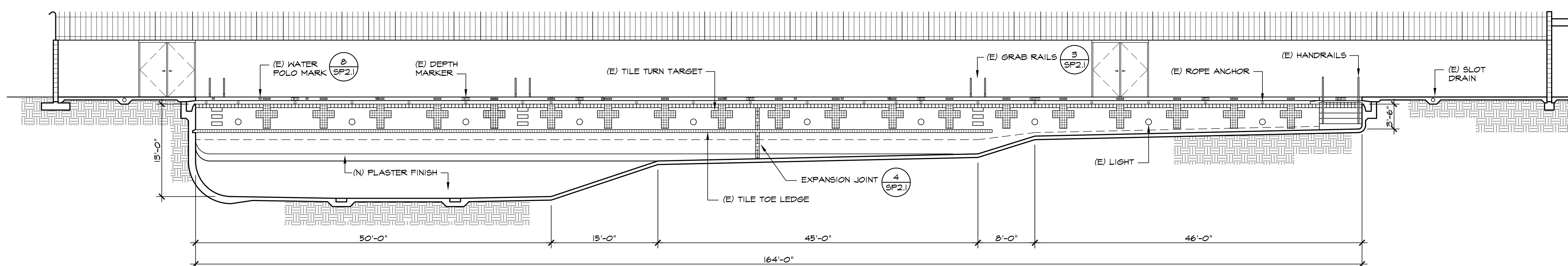
3



SWIMMING POOL SECTION

SCALE: 1/8" = 1'-0"

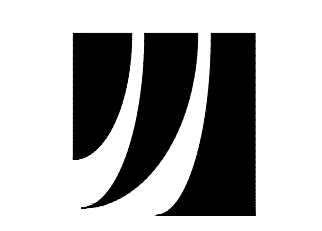
2



SWIMMING POOL SECTION

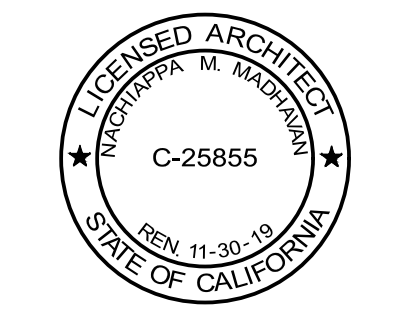
SCALE: 1/8" = 1'-0"

1



JONES & MADHAVAN
ARCHITECTURE
ENGINEERING
100 EAST THOUSAND OAKS BOULEVARD, SUITE 211
THOUSAND OAKS, CALIFORNIA 91320
TEL 805.777.8449 • FAX 805.777.8489

PROFESSIONAL SEAL



CONSULTANT

APPROVALS

REVISIONS	NO.	DATE	DESCRIPTION

**OXNARD HIGH SCHOOL
SWIMMING POOL REPAIR**
3400 WEST GONZALES ROAD
OXNARD, CALIFORNIA 93036

PHASE

BID SET

SHEET TITLE

**SWIMMING POOL
DETAILS**

DESIGNED BY

NM SHEET NO. 6 OF 6

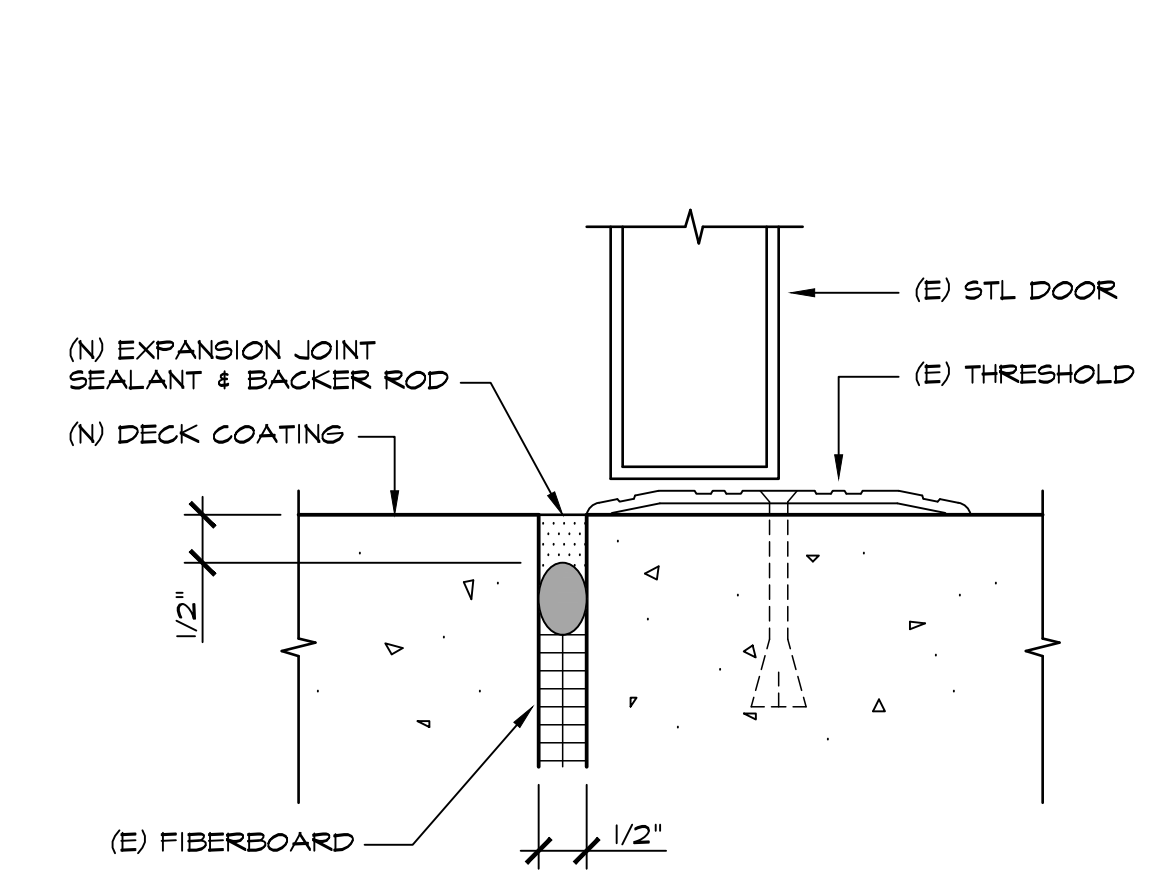
CHECKED BY

DJ

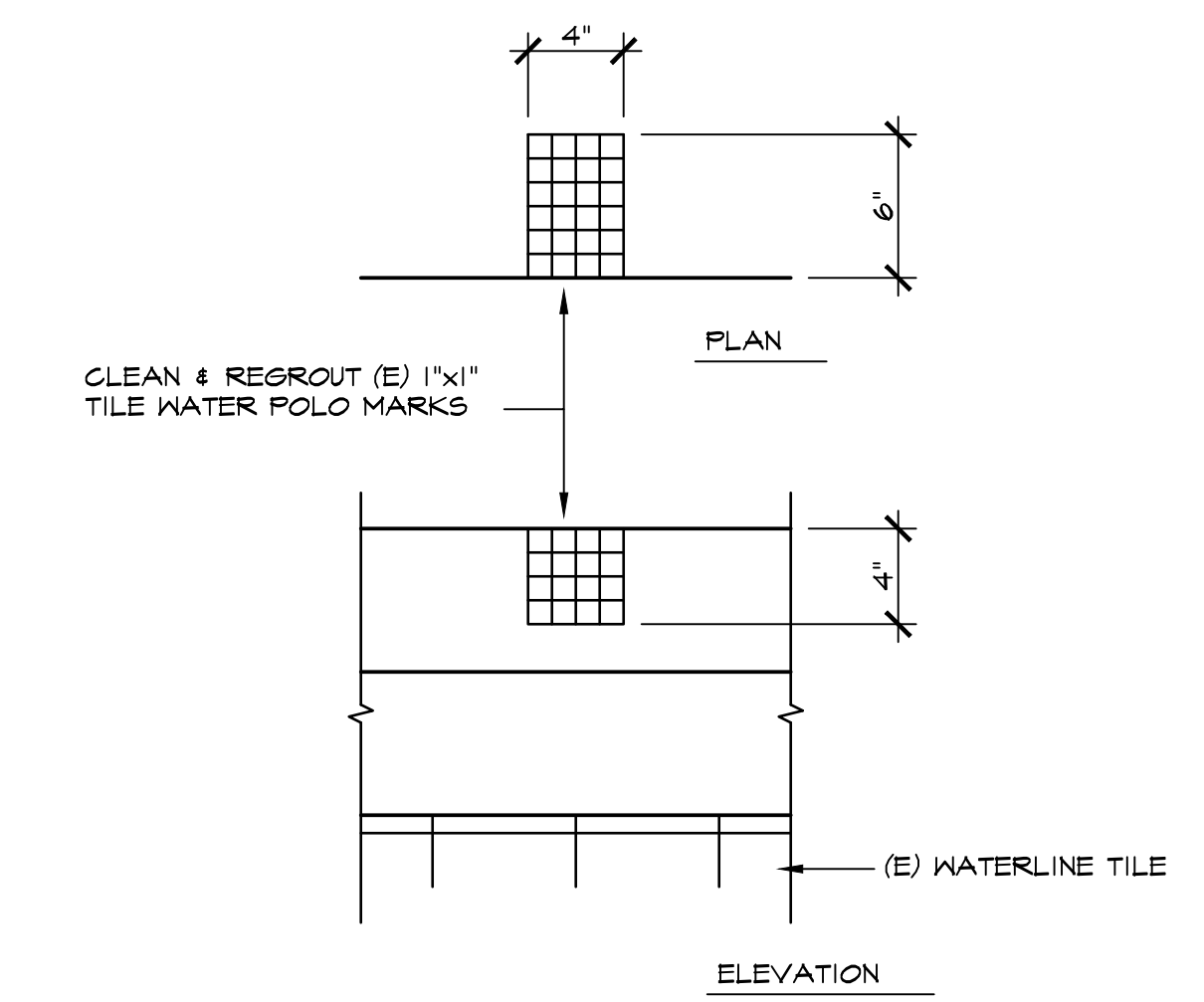
DATE

6-14-19

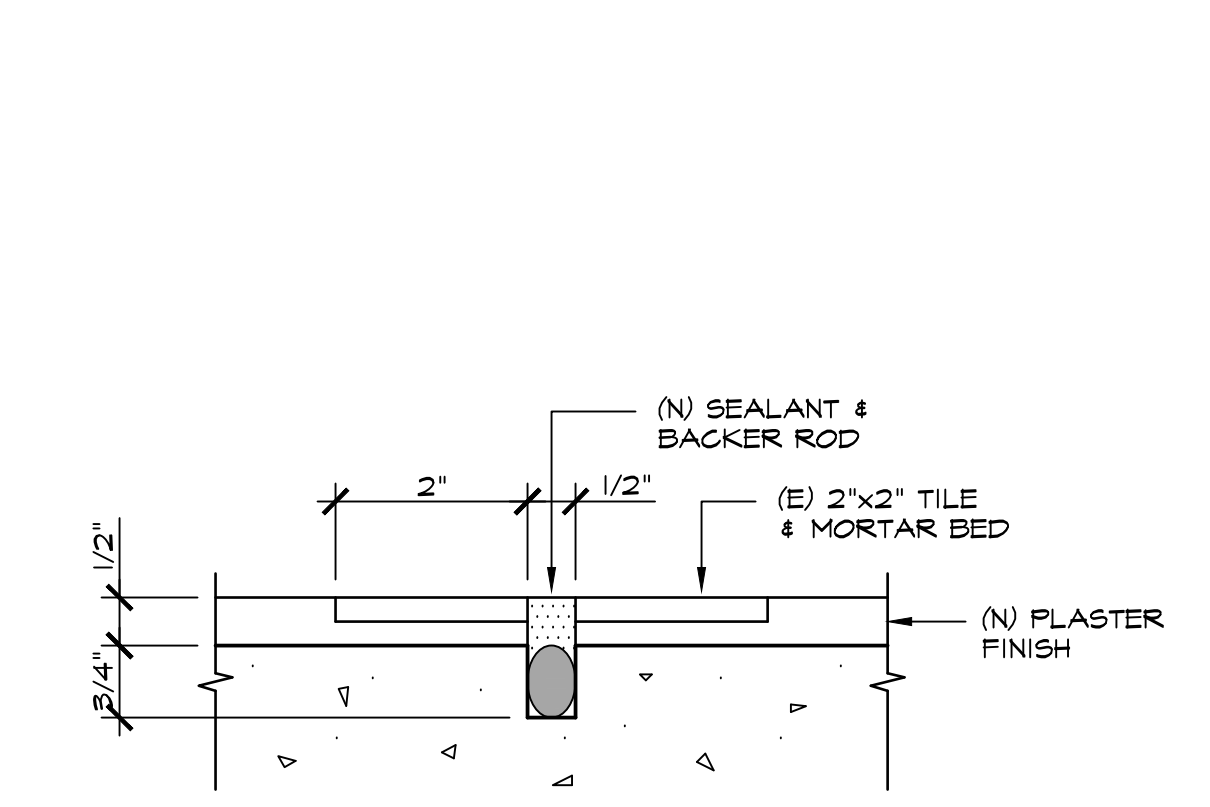
SP2.1



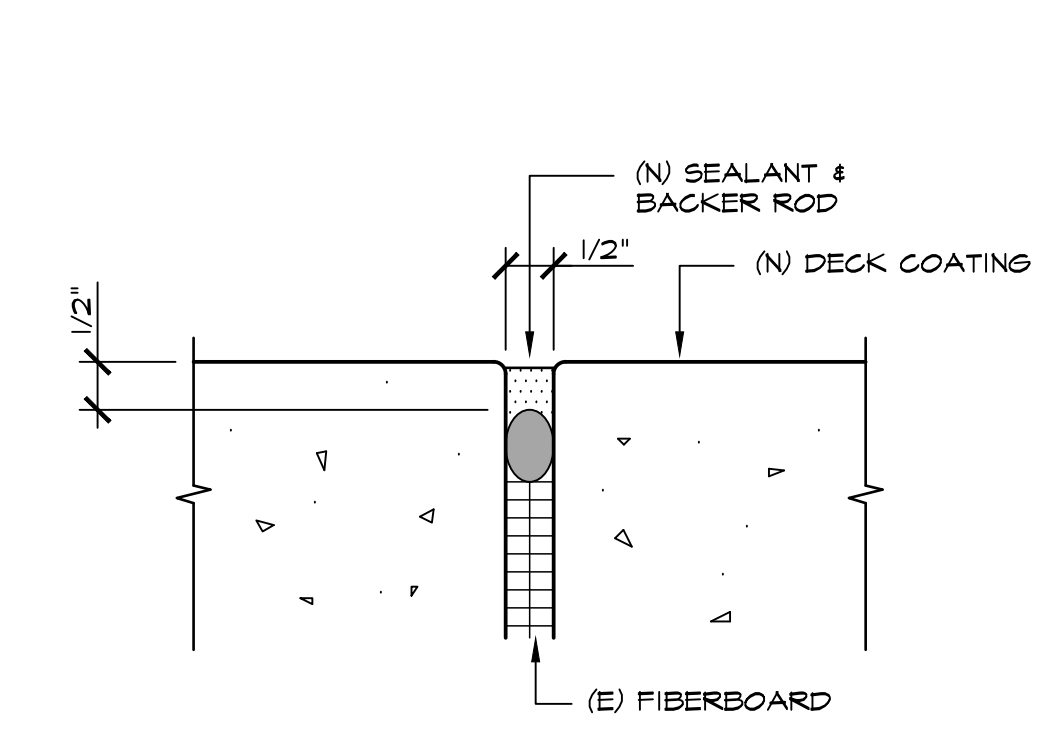
THRESHOLD
SCALE: HALF SIZE (12)



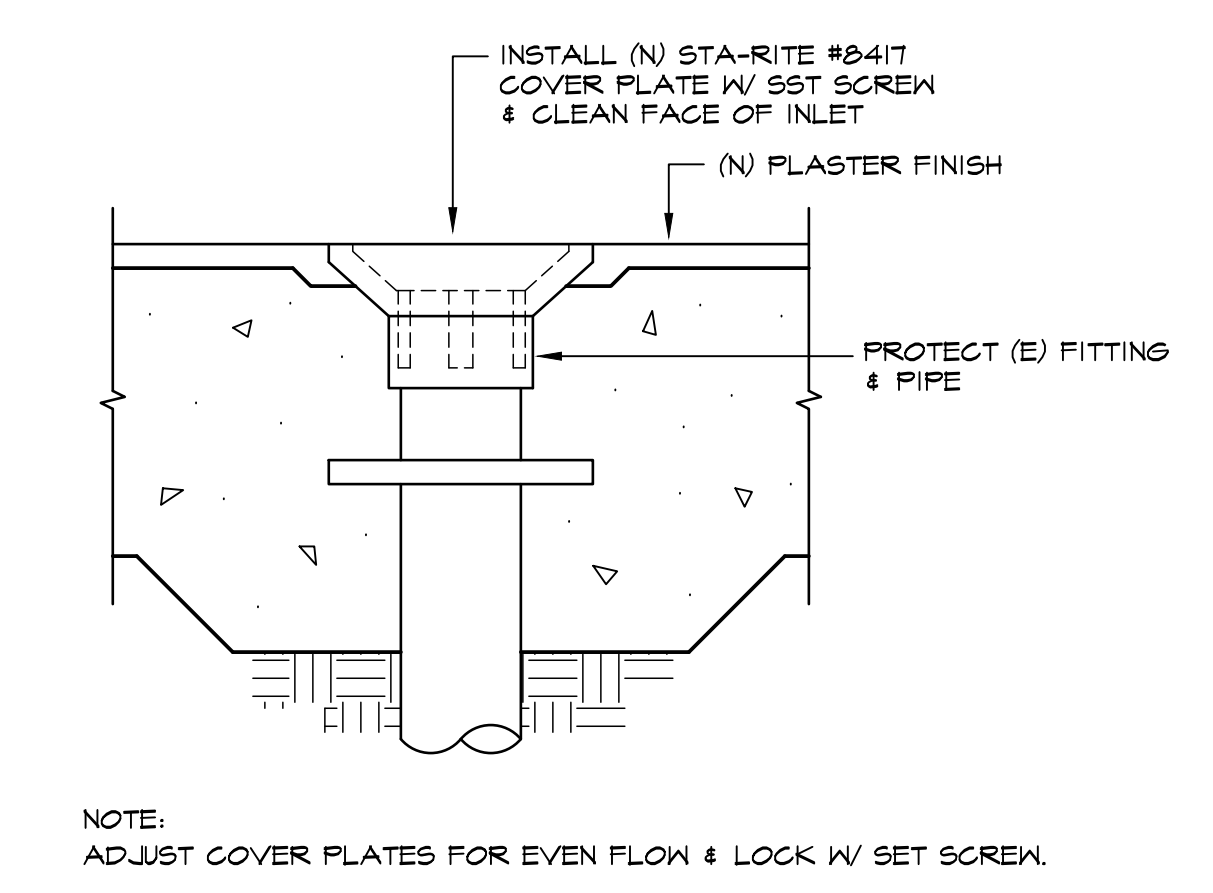
WATER POLO MARK
SCALE: 1 1/2" = 1'-0" (8)



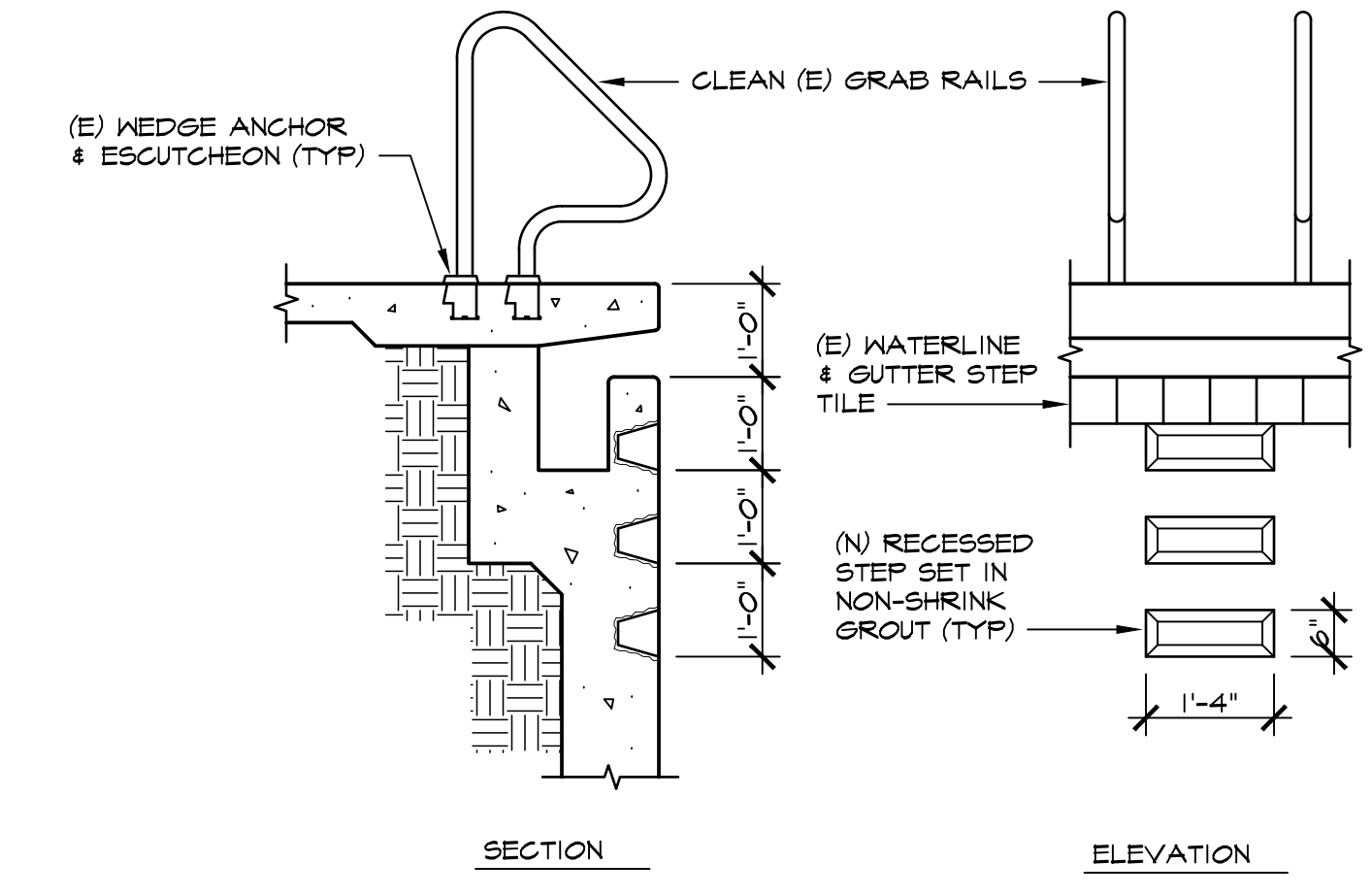
POOL EXPANSION JOINT
SCALE: HALF SIZE (4)



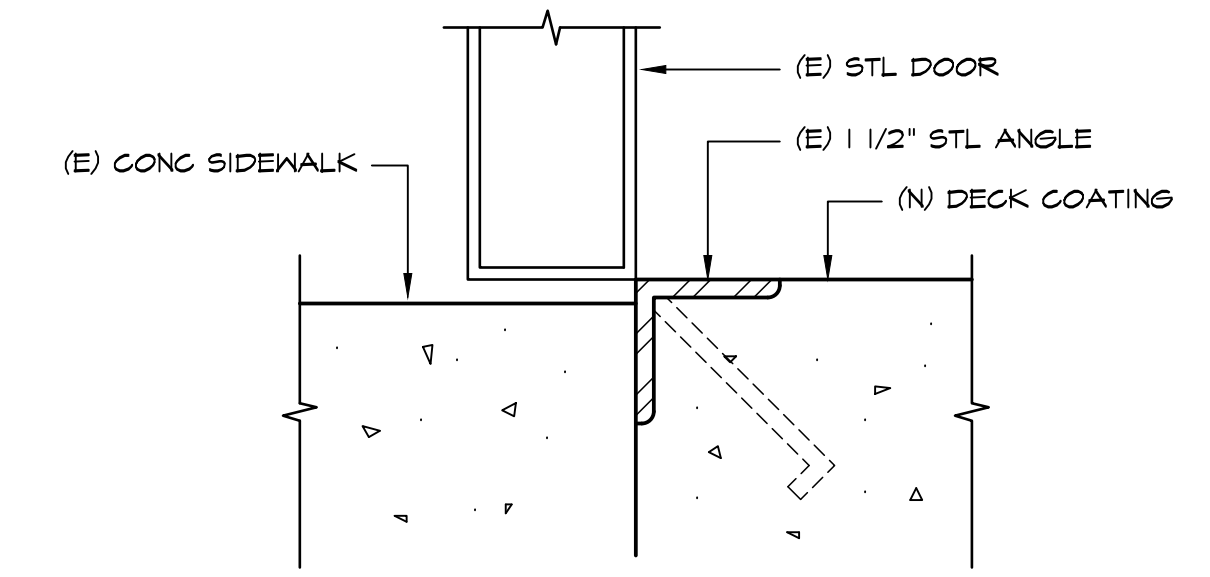
EXPANSION JOINT
SCALE: HALF SIZE (11)



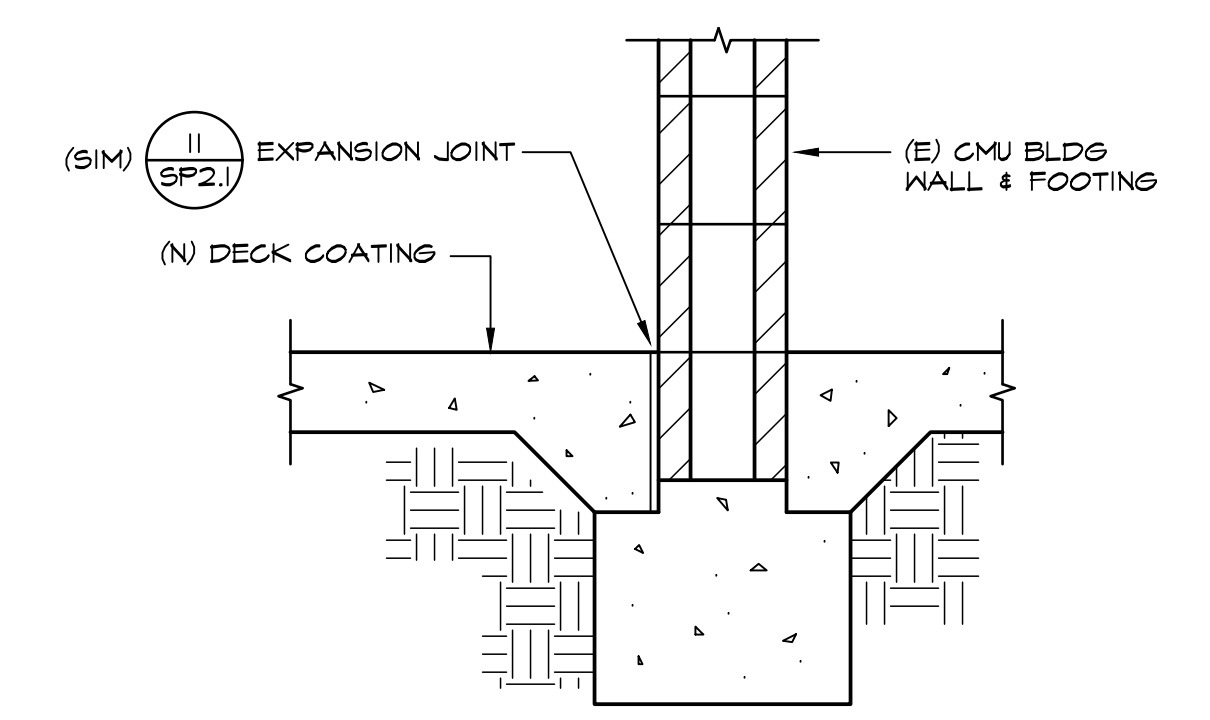
FLOOR INLET
SCALE: 3" = 1'-0" (7)



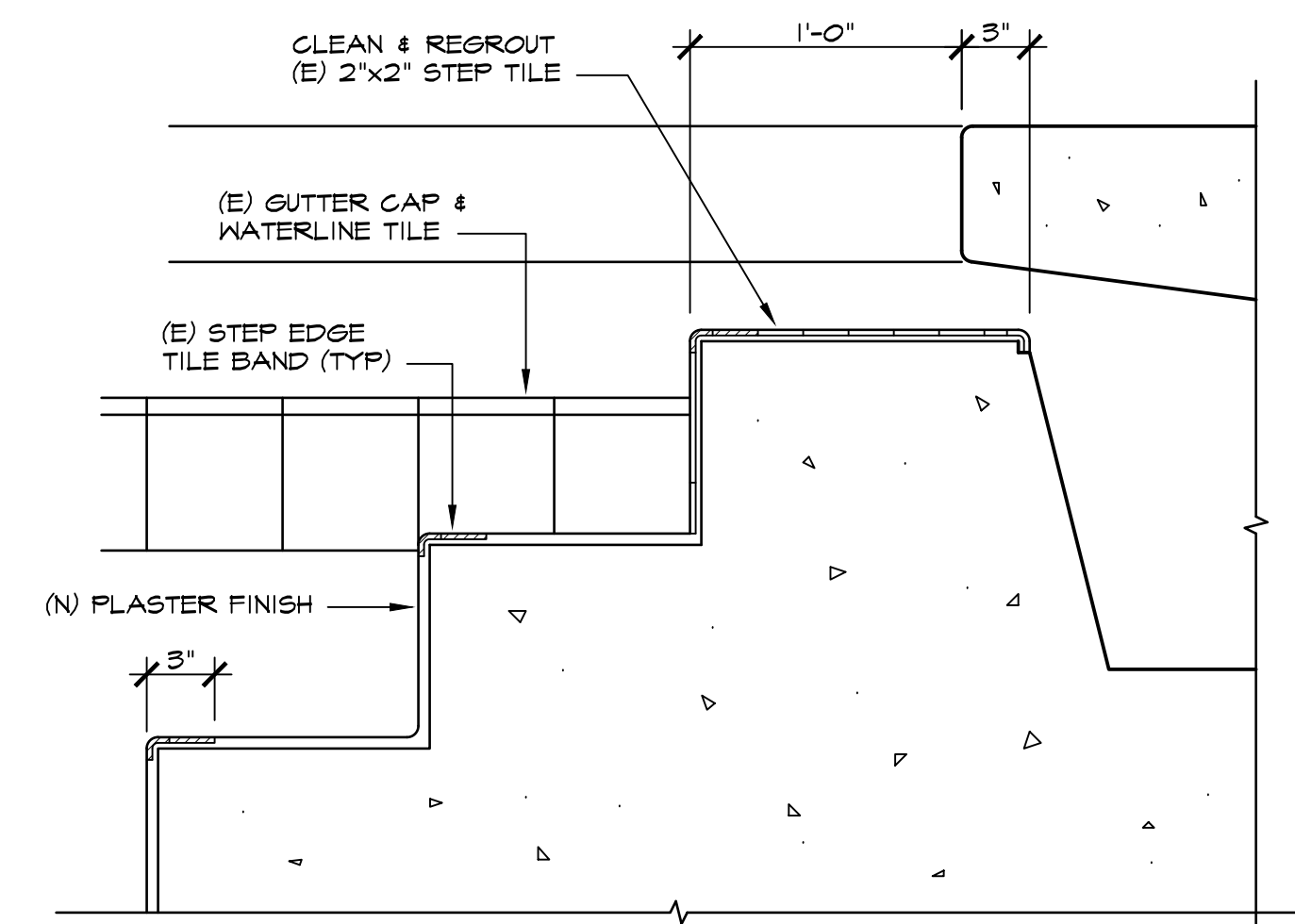
GRAB RAILS
SCALE: 1/2" = 1'-0" (3)



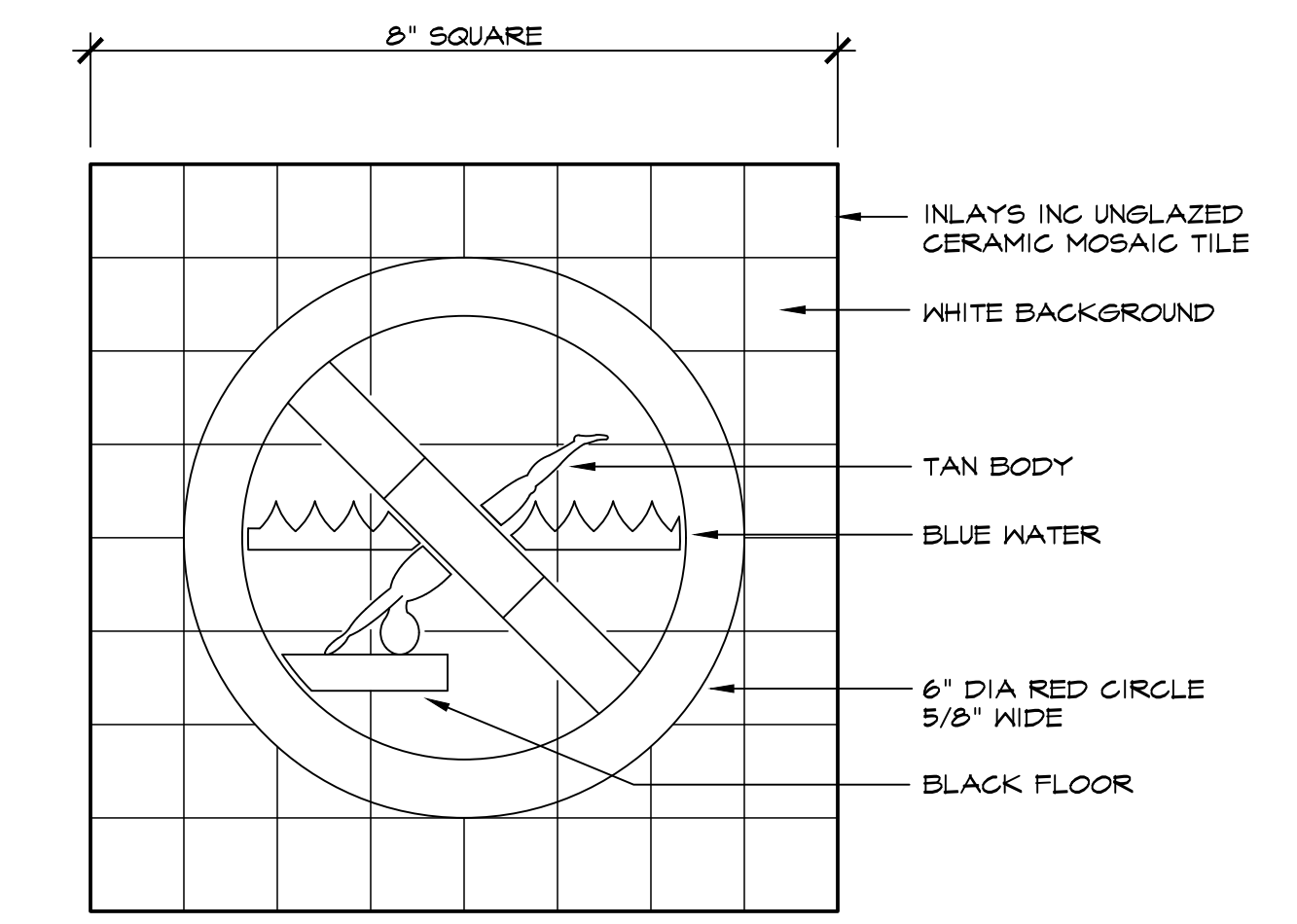
THRESHOLD @ WALL
SCALE: HALF SIZE (14)



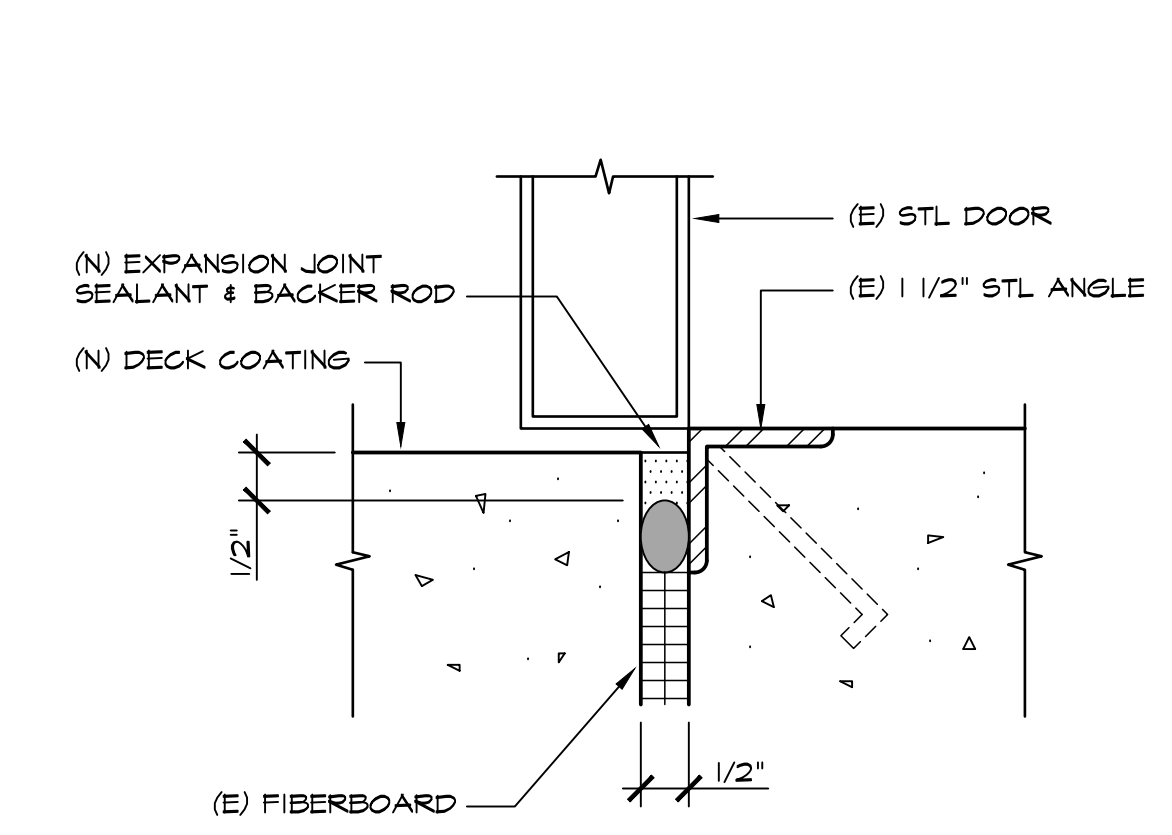
DECK EDGE @ BLDG
SCALE: 1" = 1'-0" (10)



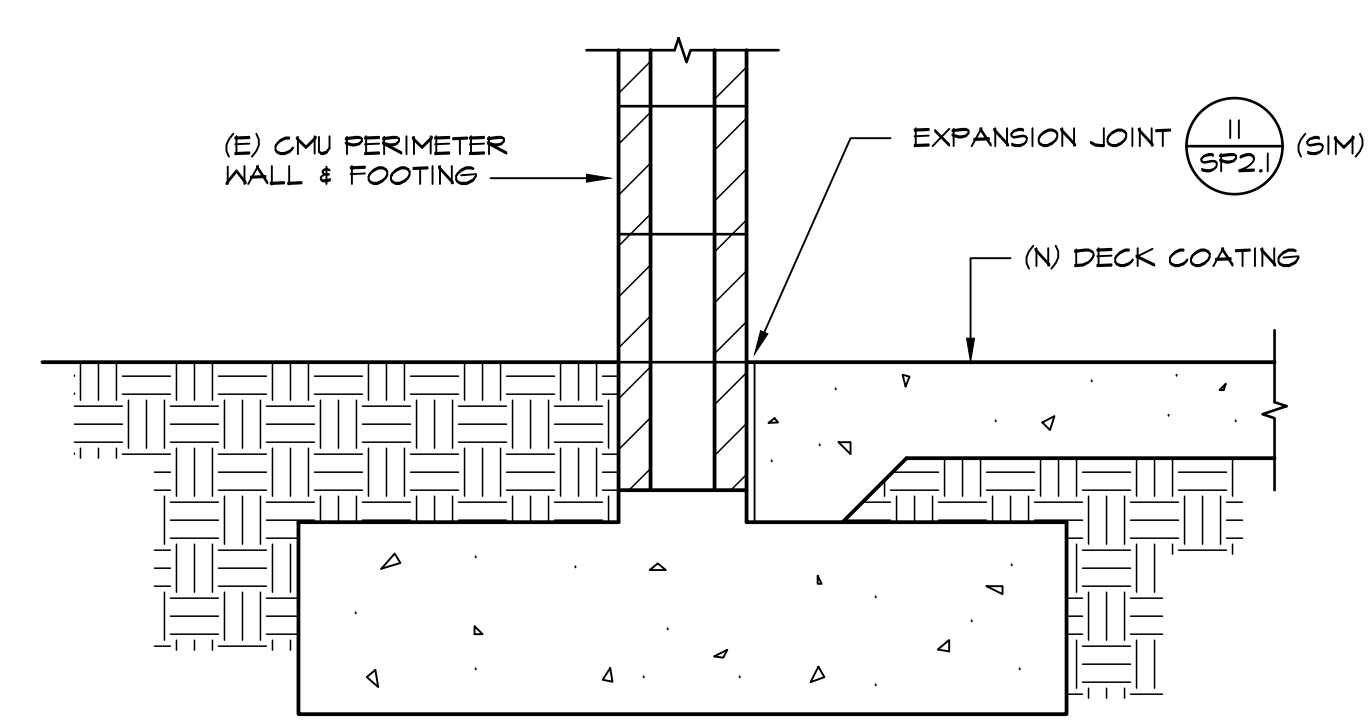
STAIR TILE
SCALE: 1 1/2" = 1'-0" (6)



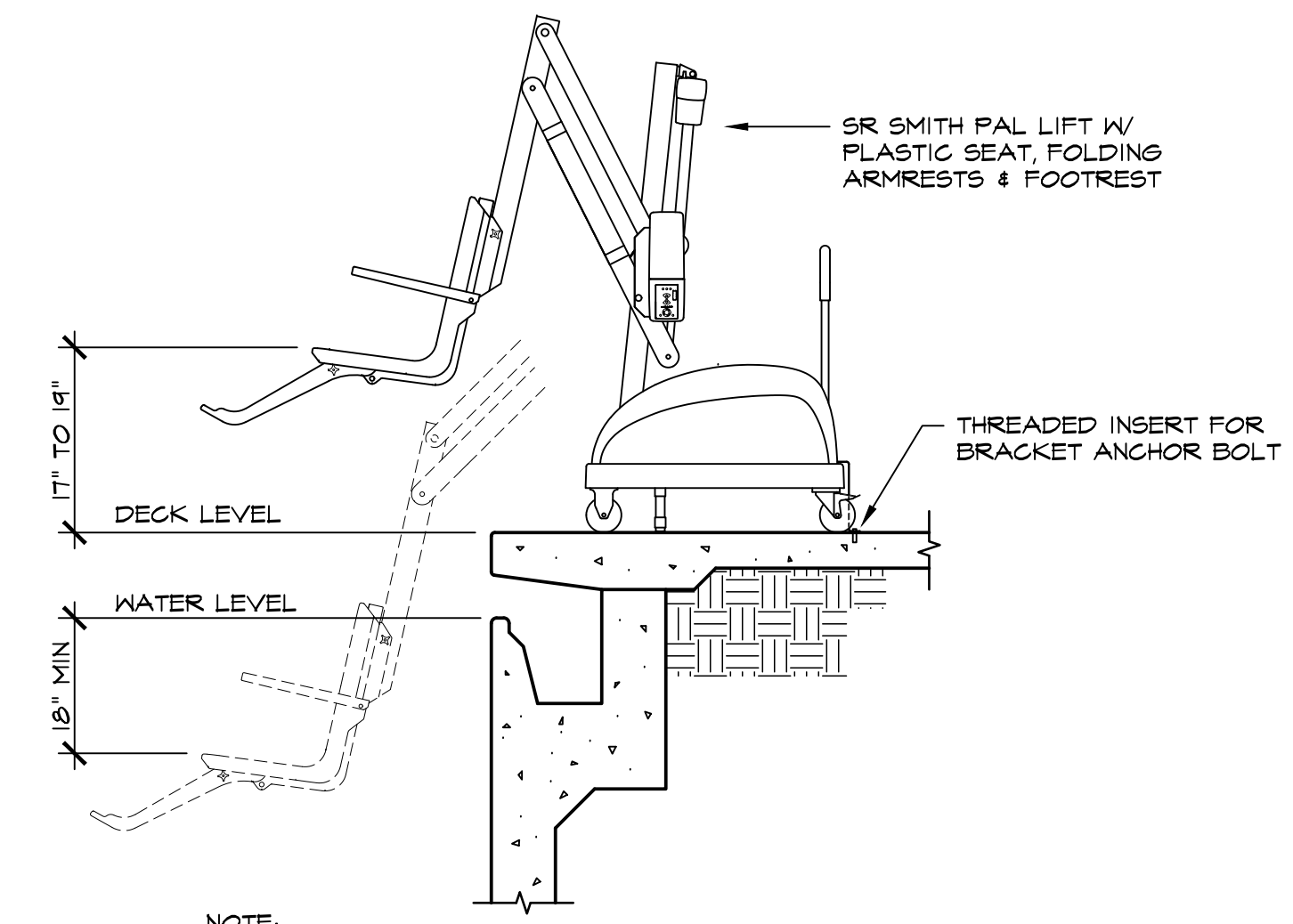
NO DIVING GRAPHIC
SCALE: HALF SIZE (2)



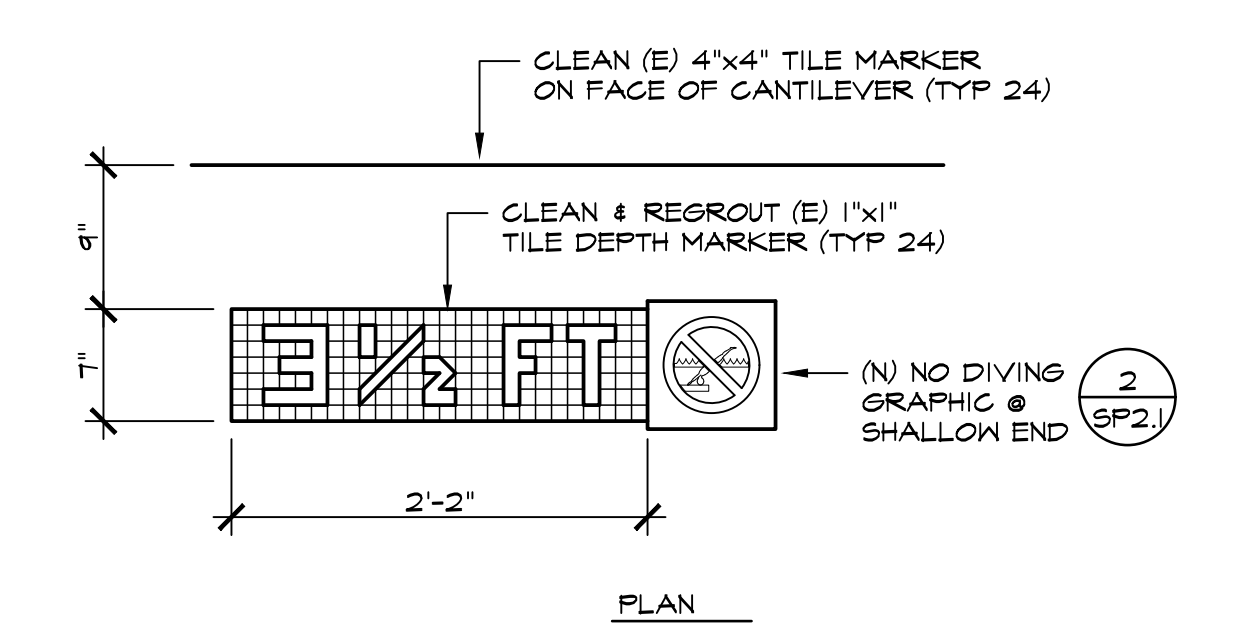
THRESHOLD
SCALE: HALF SIZE (13)



DECK EDGE @ WALL
SCALE: 1" = 1'-0" (9)



DISABLED LIFT
SCALE: 1/2" = 1'-0" (5)



DEPTH MARKERS
SCALE: 1" = 1'-0" (1)

NOTE:
DISABLED ACCESS LIFT SHALL ASSIST PERSONS WITH DISABILITIES IN GAINING ENTRY INTO THE POOL AND IN EXITING FROM THE POOL & SHALL CONFORM WITH THE PROVISIONS OF THE 2016 CALIFORNIA BUILDING CODE, SECTION 11B-009.2.