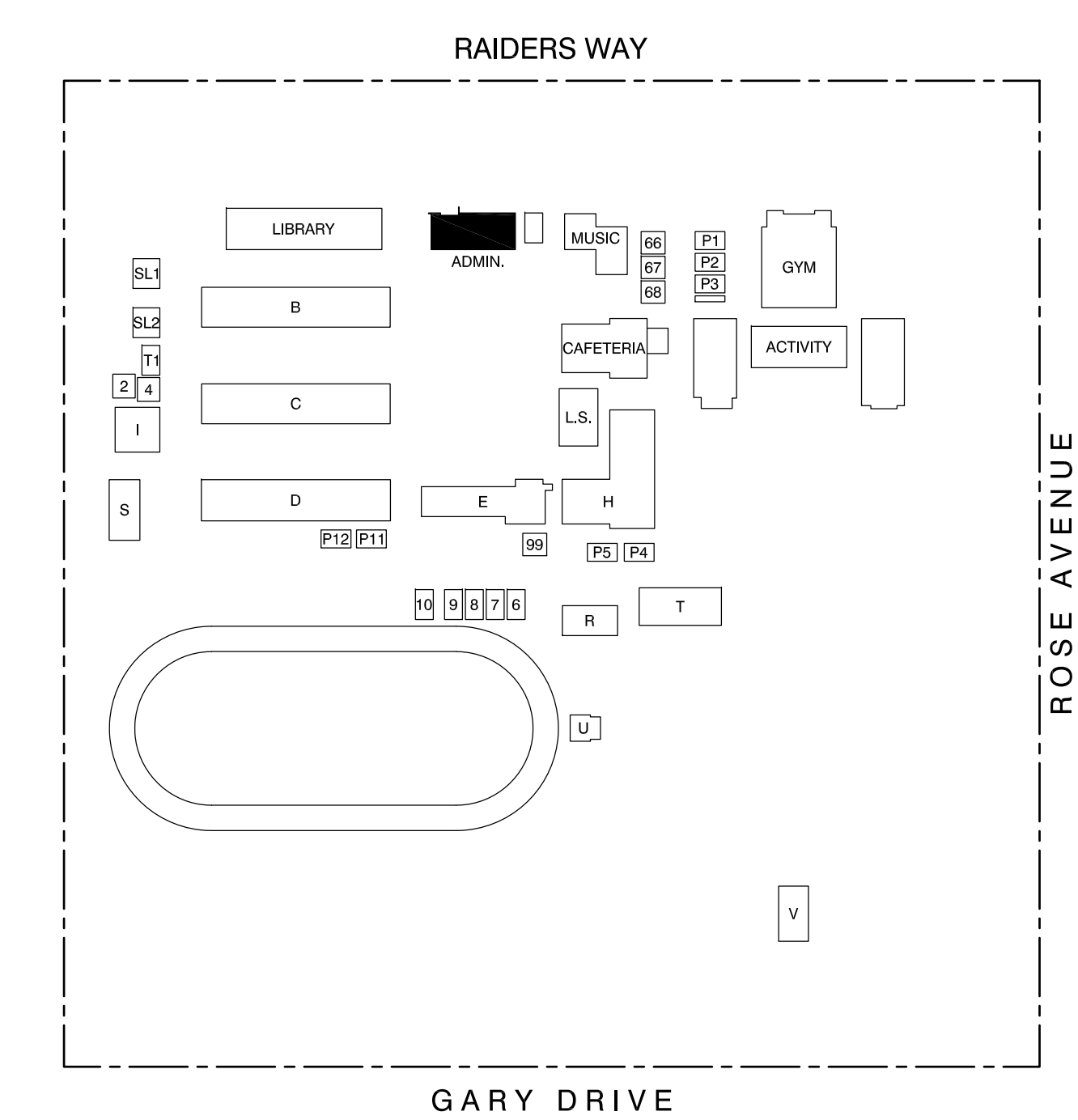
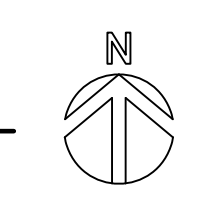


1 BUILDING 'K' FLOOR PLAN
 SCALE : 1/8" = 1'-0"



KEY PLAN



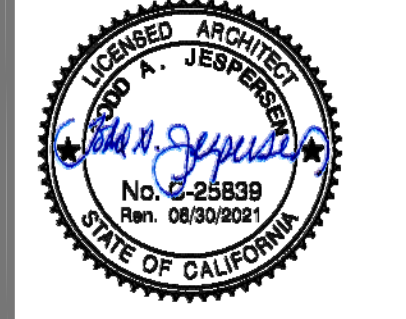
KRUGER BENSEN ZIEMER ARCHITECTS, INC.
 199 FIELDFORD ST., SUITE 100A VENTURA, CA 93001
 TELEPHONE (805) 650-1033

TODD A. JESPERSEN, AIA
 PRINCIPAL/ARCHITECT

JONATHAN D. LEE
 ARCHITECTURAL ASSISTANT

All ideas, design arrangements and plans indicated or represented by this drawing are owned by and are the property of KrugerBensenZiemer, AIA, architect, and were created, edited and developed for use on, and in connection with, the specific project. None of such ideas, design, arrangements or plans shall be used by or disclosed to any person, firm or corporation for any purpose whatsoever without the written permission of KrugerBensenZiemer.

ARCHITECTS
 STAMP & SIGNATURE

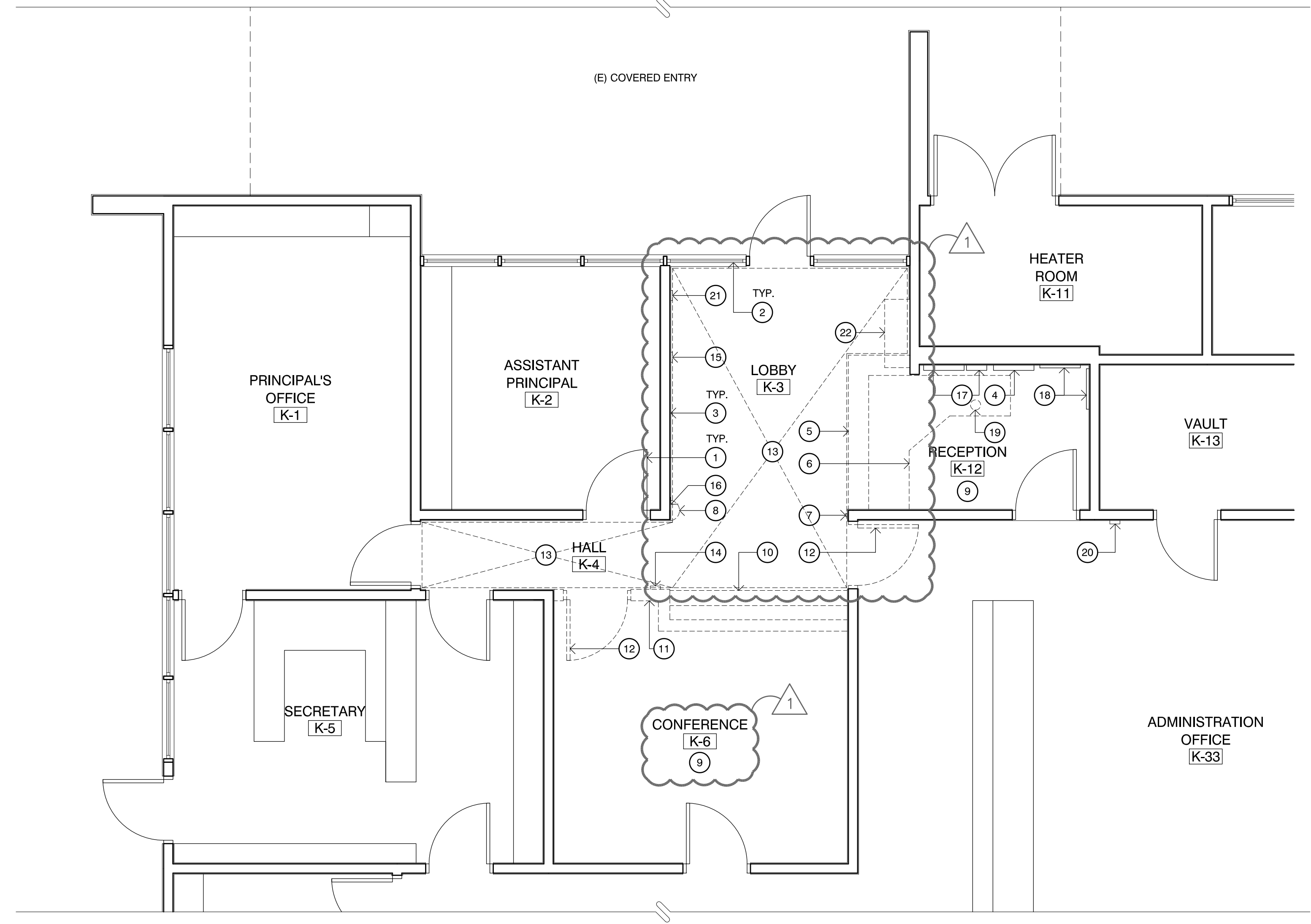


△	-	-/-	XX
△	-	-/-	XX
△	-	-/-	XX
△	-	-/-	XX
△	REVISIONS.01	9/11/19	TJ
REVISION	DESCRIPTION	DATE	BY

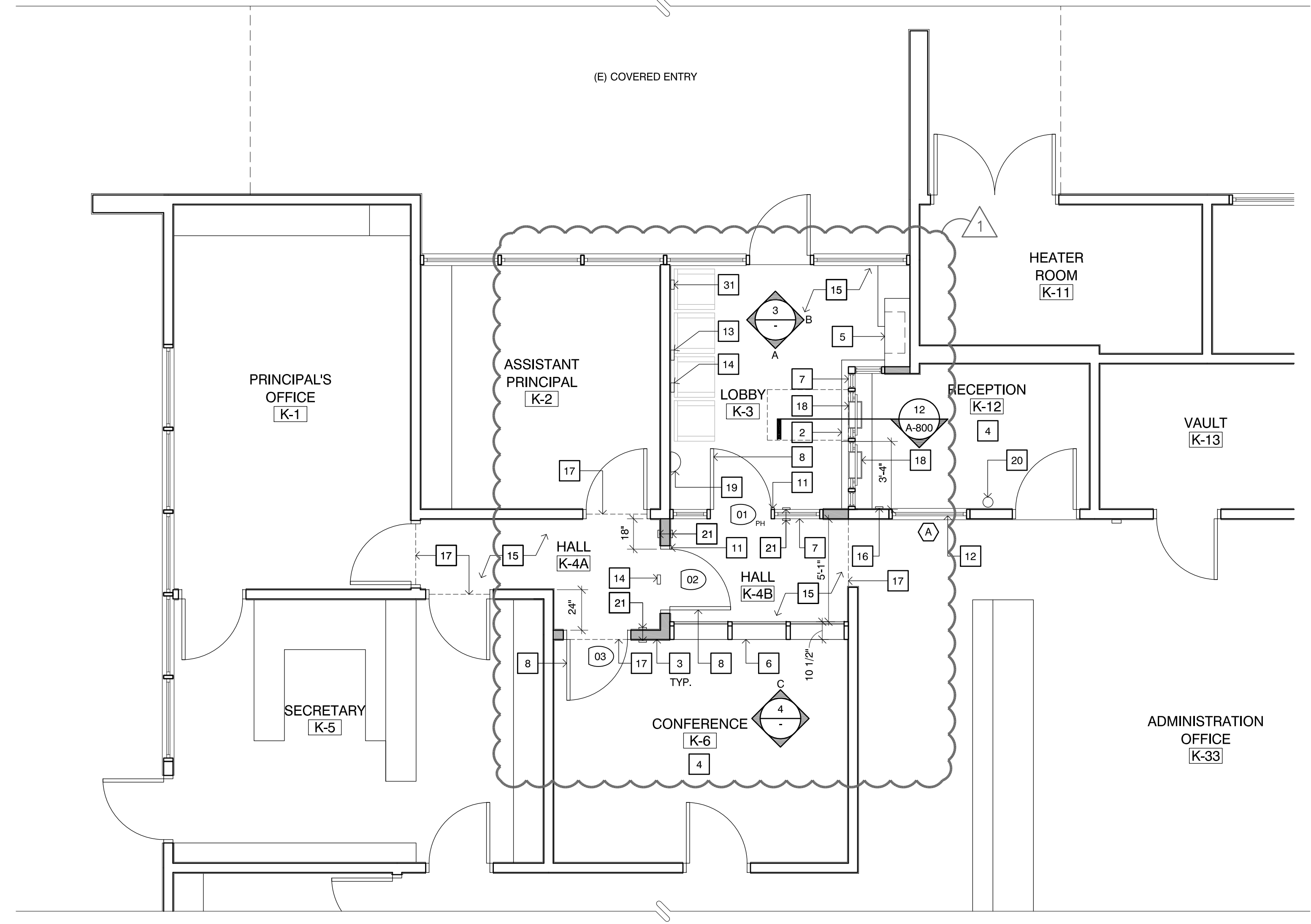
DRAWN JL
 CHECKED TJ
 DATE 1/19/2018
 JOB. NO. 18015

SHEET BUILDING 'K' FLOOR PLAN
 TITLE

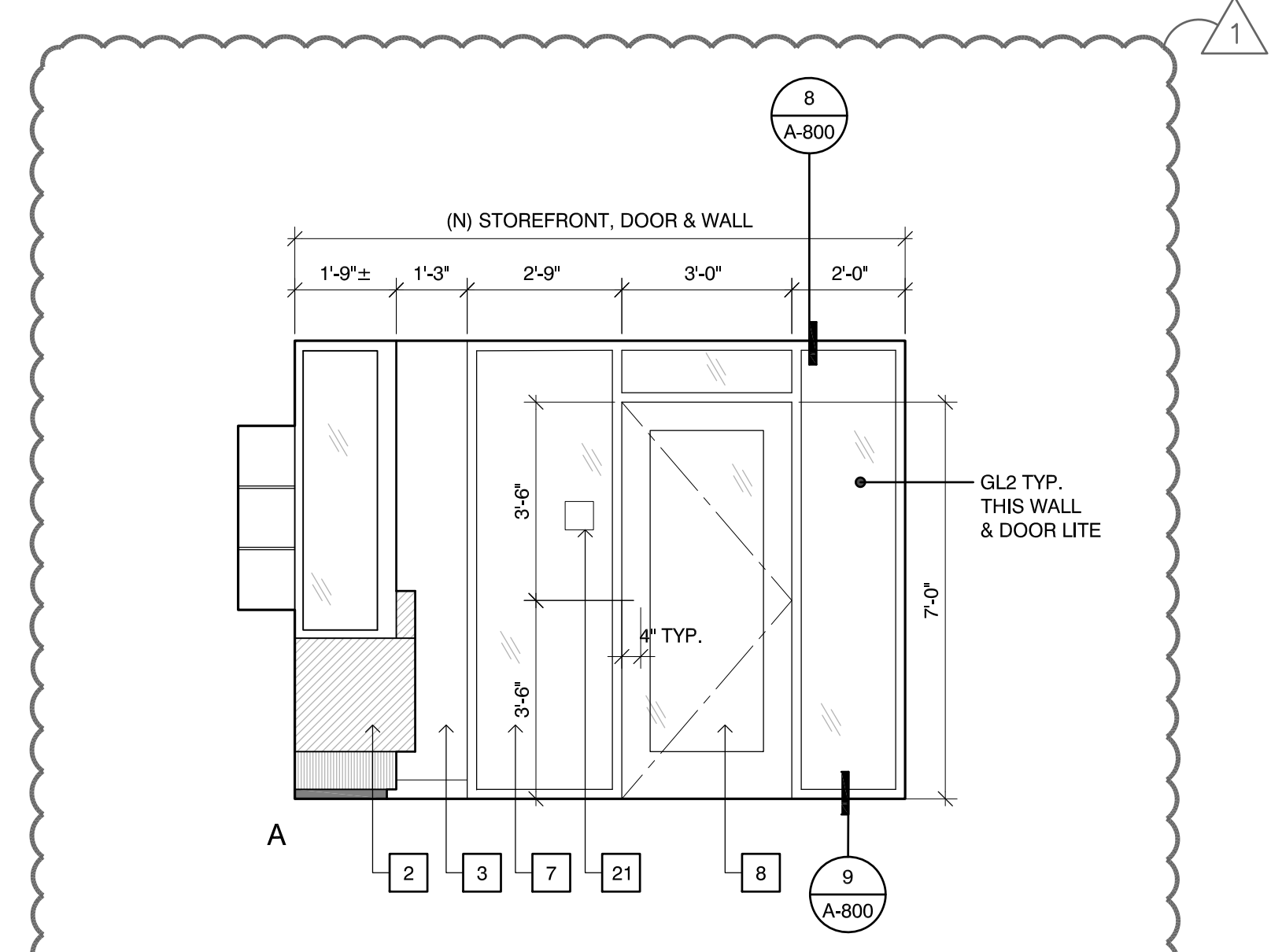
SHEET



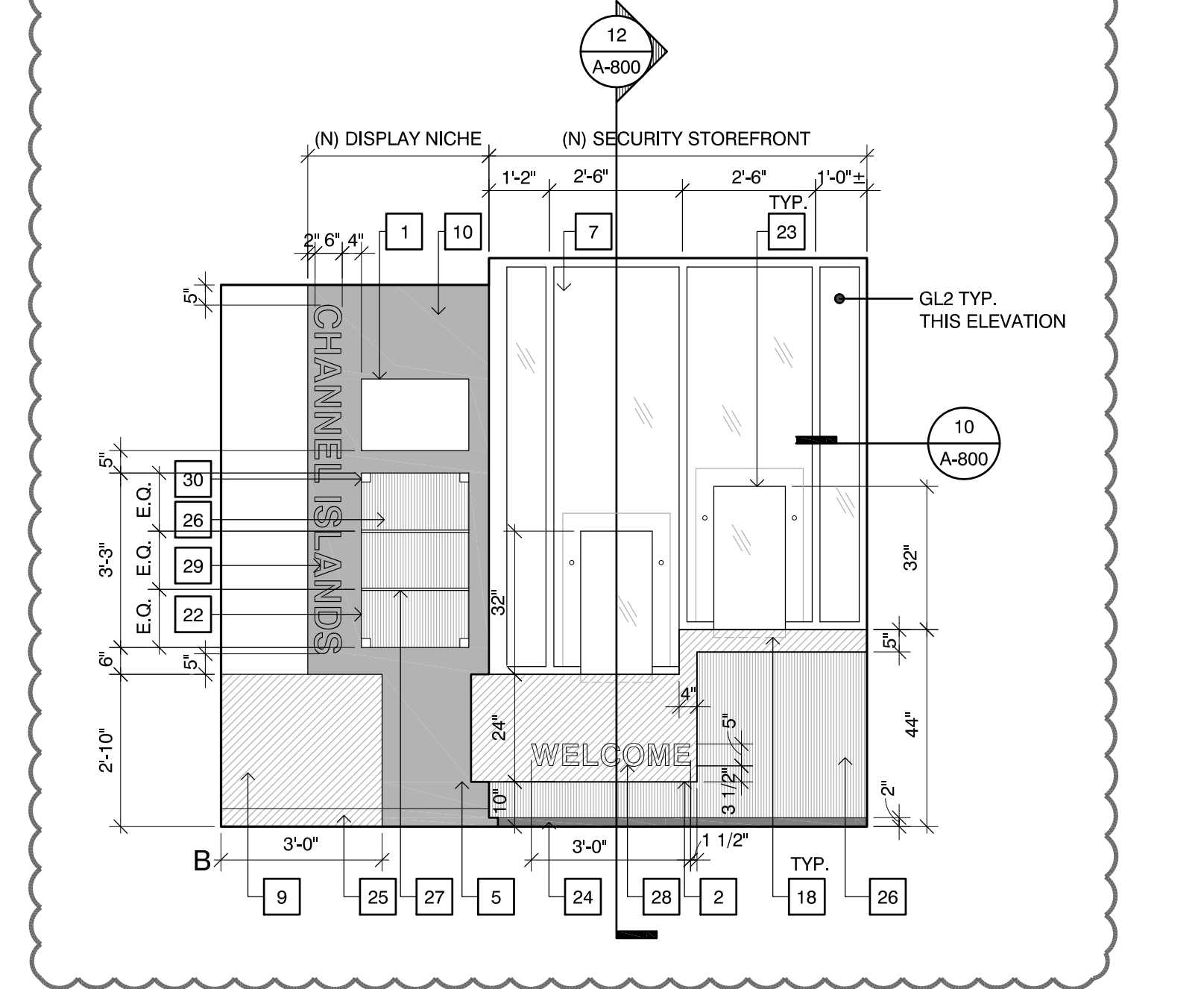
1 ENLARGED DEMO FLOOR PLAN
SCALE: 1/4" = 1'-0"



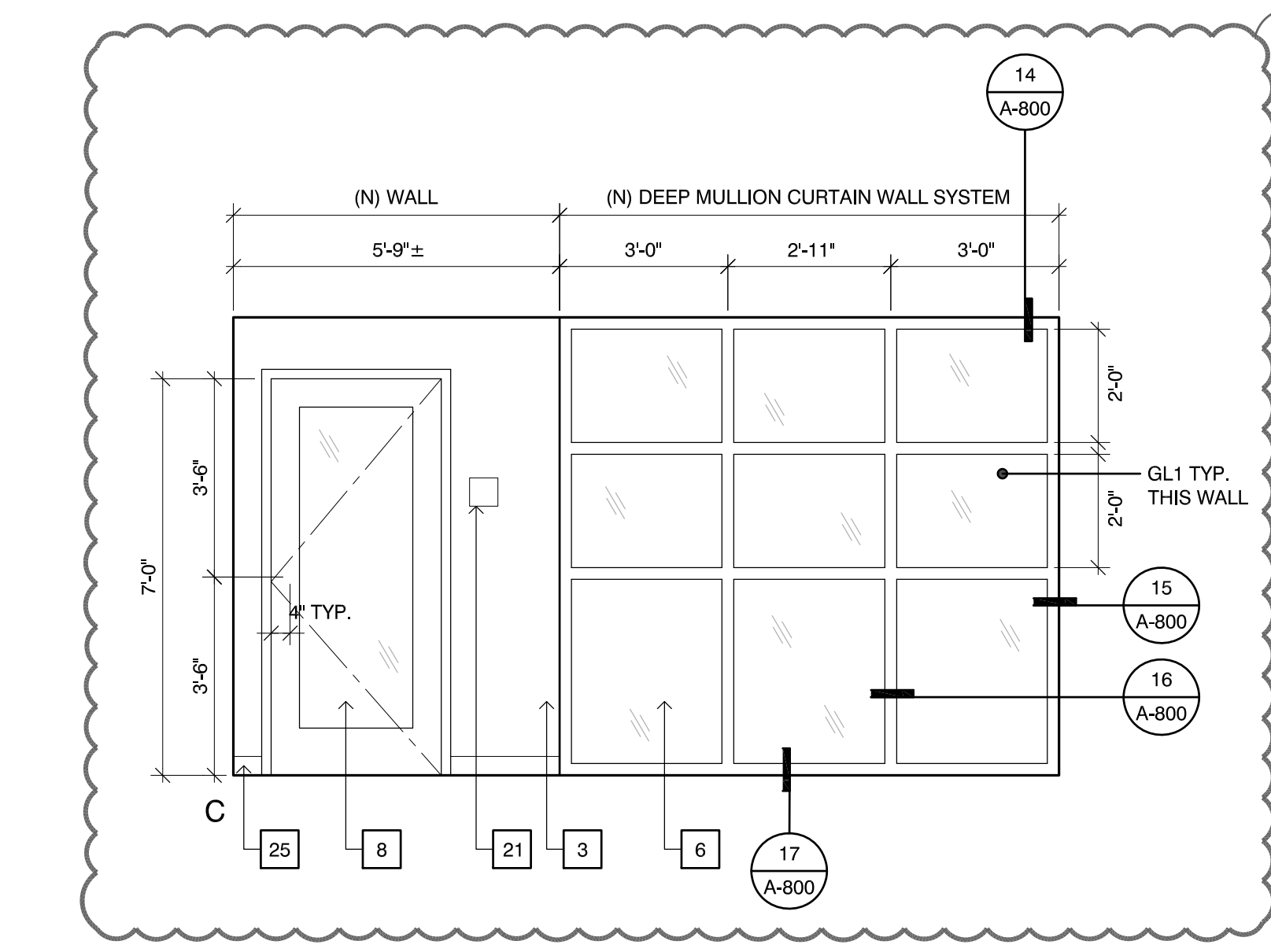
2 ENLARGED NEW FLOOR PLAN
SCALE: 1/4" = 1'-0"



3 INTERIOR ELEVATIONS - LOBBY
SCALE: 3/8" = 1'-0"



4 INTERIOR ELEVATIONS - CONFERENCE
SCALE: 3/8" = 1'-0"



DEMO PLAN KEYNOTES

- 1 (E) DOOR TO REMAIN
- 2 (E) WINDOW TO REMAIN
- 3 (E) WALL TO REMAIN
- 4 (E) FIRE ALARM PANEL TO REMAIN
- 5 DEMO (E) COUNTER
- 6 REMOVE (E) WORKSTATION
- 7 UPDATE (E) FIRE ALARM STROBE TO HORN/STROBE AND RELOCATE
- 8 RELOCATE (E) HALF-DOME SAFETY MIRROR
- 9 REMOVE (E) CARPET & RUBBER BASE
- 10 DEMO (E) CABINET/WALL ASSEMBLY
- 11 DEMO (E) WALL
- 12 DEMO (E) DOOR & FRAME
- 13 REMOVE (E) VCT & BASE FOR (N) WORK
- 14 RELOCATE (E) EMERGENCY LIGHTING
- 15 RELOCATE (E) EXIT SIGN
- 16 (E) LIGHT SWITCH TO REMAIN
- 17 (E) DATA BOX TO REMAIN
- 18 (E) ELECTRICAL PANEL TO REMAIN
- 19 RELOCATE (E) FIRE EXTINGUISHER
- 20 (E) FIRE ALARM DEVICE TO REMAIN
- 21 (E) PULL STATION TO REMAIN
- 22 REMOVE (E) CEILING AS REQ'D FOR (N) BLOCKING

NEW PLAN & INTERIOR ELEVATIONS KEYNOTES

- 1 (N) DATA/ELECT. OUTLET FOR LCD SCREEN
- 2 (N) HI-LO SOLID SURFACE COUNTER, RETURNS @ 90° CORNER
- 3 (N) WALL
- 4 (N) ENHANCED RESILIENT TILE
- 5 (N) TROPHY DISPLAY NICHE
- 6 (N) 10 1/2" DEEP MULLION CURTAIN WALL SYSTEM w/ 1/4" LAMINATED SAFETY GLASS
- 7 (N) SECURITY STOREFRONT ASSEMBLY
- 8 (N) DOOR
- 9 (N) GYP. BRD. PAINTED SEE PAINT COLOR LEGEND ON SHEET A-402 (P1)
- 10 (N) GYP. BRD. PAINTED SEE PAINT COLOR LEGEND ON SHEET A-402 (P2)
- 11 (N) ACCESS CARD READER @ +40" AFF
- 12 (N) 4" W. WINDOW
- 13 REPLACE (E) EXIT SIGN WITH (E) EMERGENCY LIGHTING
- 14 (N) LOCATION FOR (N) FIRE ALARM HORN/STROBE
- 15 (N) EXPOSED CONC. w/ STAIN
- 16 (N) DOOR ACCESS CONTROLS @ +36" AFF
- 17 (N) ALUMINUM TRANSITION STRIP
- 18 (N) BULLET-TRAP RECESSED CURRENCY TRAY
- 19 (N) LOCATION FOR (E) HALF-DOME SAFETY MIRROR
- 20 (N) LOCATION FOR (E) FIRE EXTINGUISHER
- 21 (N) ROOM SIGNAGE
- 22 (N) PAINTED MDF w/ BORE HOLES FOR ADJUSTABLE SHELVING
- 23 (N) RECTANGULAR TRANSACTION WINDOW
- 24 (N) 2" DRMB ALUM. DRYWALL REVEAL BASE
- 25 (N) RUBBER BASE
- 26 (N) WOOD PATTERN HIGH PRESSURE LAMINATE
- 27 (N) ADJUSTABLE GLASS SHELVES
- 28 (N) VINYL LETTERS ADHERED TO SOLID SURFACE COUNTER (FONT TO BE SELECTED BY ARCHITECT)
- 29 (N) VINYL LETTERS ADHERED TO CASEWORK (FONT TO BE SELECTED BY ARCHITECT)
- 30 (N) FRAME-LESS GLASS WITH A DOOR LOCK
- 31 (E) PULL STATION TO REMAIN

LEGEND



KRUGER BENSEN ZIEMER ARCHITECTS, INC. AIA
 199 FIDELITY ST., SUITE 100A VENTURA, CA 93001
 TELEPHONE (805) 650-1033

TODD A. JESPERSEN, AIA
 PRINCIPAL/ARCHITECT

JONATHAN D. LEE
 ARCHITECTURAL ASSISTANT

All ideas, design arrangements and plans indicated or represented by this drawing are owned by and are the property of KrugerBensenZiemer, AIA, architects, and may be created, copied and distributed for use on, and in connection with, the specific project. None of such ideas, designs, arrangements or plans shall be used by or disclosed to any person, firm or corporation for any purpose whatsoever without the written permission of KrugerBensenZiemer.

ARCHITECTS
 STAMP & SIGNATURE



REVISION	DESCRIPTION	DATE	BY
REVISIONS.01		9/11/19	TJ

DRAWN JL
 CHECKED TJ
 DATE 1/19/2018
 JOB. NO. 18015

SHEET ENLARGED DEMO FLOOR PLAN
 TITLE ENLARGED NEW FLOOR PLAN
 INTERIOR ELEVATIONS

DOOR, FRAME AND SIGNAGE MESSAGE SCHEDULE																													
DOOR	DOOR INFO																		SIGNAGE INFO										
	DOOR OPENING		DOOR					CUTOUTS		HDWR GROUP	ASSY FIRE RATING	FRAME				DETAILS				DOOR REMARKS	SIGN TYPE/ SEE DETAIL SIDE OF DOOR		DESCRIPTION		MESSAGE		SIGNAGE REMARKS		
	WIDTH	HEIGHT	TYPE	MATL	THICK	FIN	COLOR	LITE	LVR			TYPE	MATL	FIN	COLOR	HEAD	JAMB	SILL	SIGNAGE		PULL SIDE	PUSH SIDE	PULL SIDE	PUSH SIDE	PULL SIDE	PUSH SIDE			
1	3'-0"	7'-0"	A	ALUM	1 3/4"	FF	-	1	-	01	-	1	ALUM	FF	-	4 A-800	4 A-800	4 A-800	7 A-800	G1 A-800	S1 A-800	CARD READER & ACCESS CONTROL PANIC HARDWARE	S1	S1	◇	◇	OFFICE	EXIT	◇
2	3'-0"	7'-0"	A	ALUM	1 3/4"	FF	-	1	-	02	-	1	ALUM	FF	-	4 A-800	4 A-800	4 A-800	7 A-800	G1 A-800	S1 A-800	CARD READER & ACCESS CONTROL	S1	S1	◇	◇	PRINCIPAL ASSISTANT PRINCIPAL EXIT	CONFERENCE	◇
3	3'-0"	7'-0"	A	ALUM	1 3/4"	FF	-	1	-	02	-	1	ALUM	FF	-	4 A-800	4 A-800	4 A-800	7 A-800	G1 A-800	S1 A-800		S1	S1	◇	◇			◇

DOOR & WINDOW SCHEDULE KEYNOTES

- 1 DOOR HARDWARE PROVIDED BY MODULAR PARTITION MANUFACTURER

SIGNAGE KEYNOTES

- 1 EXTERIOR PANEL SIGN
- 2 INTERIOR PANEL SIGN

GLAZING TYPES

- GL1 LAMINATED SAFETY GLASS (CLEAR) - 1/2" THICK
- GL2 BULLET-RESISTANT 1-1/4" LP 125 - LAMINATED (CLEAR)

ABBREVIATIONS

- ALUM ALUMINUM
- FF FACTORY FINISH
- HM HOLLOW METAL
- MFR PER MANUFACTURER
- PT PAINTED
- SC WD SOLID CORE WOOD
- SS STAINLESS STEEL
- BR BULLET-RESISTANT
- P.LAM PLASTIC LAMINATE

GENERAL NOTES

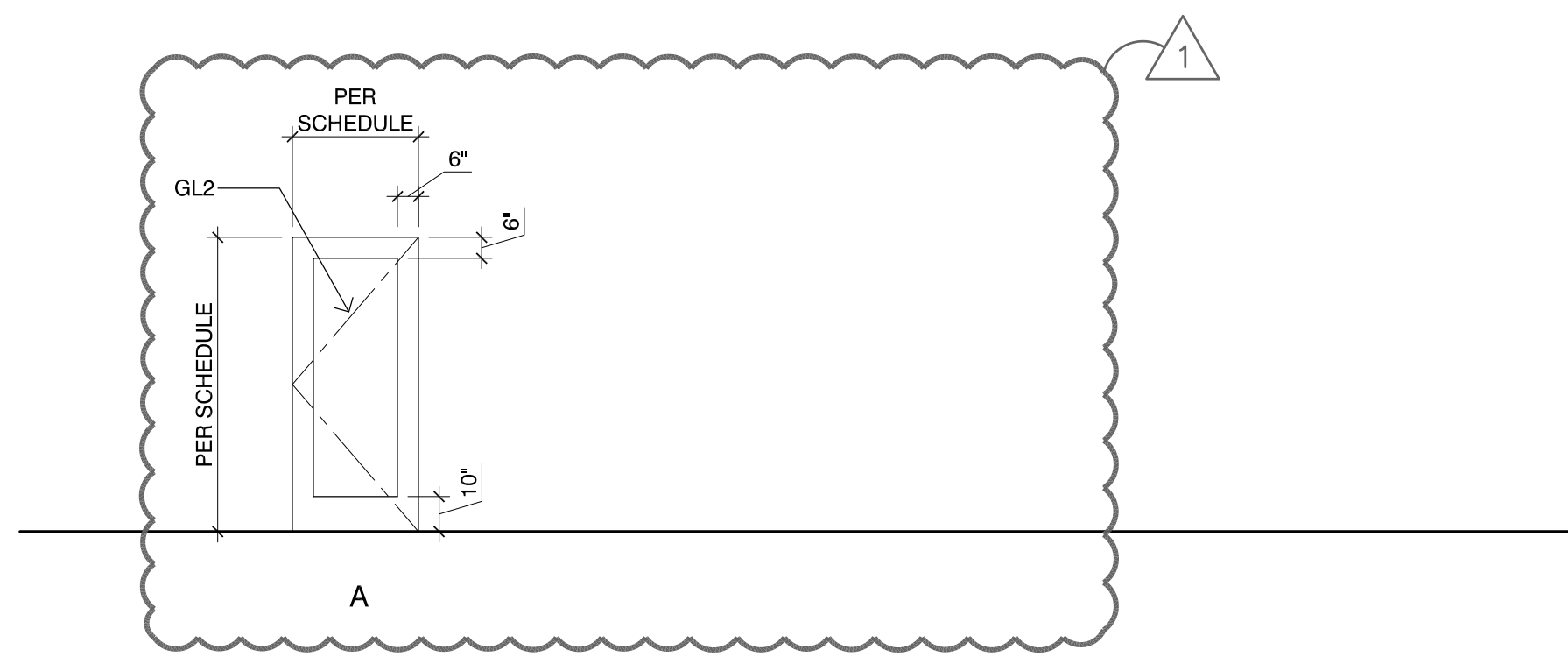
- SEE S1/A-800 FOR INTERIOR PANEL SIGNAGE MOUNTING HEIGHTS.
- SEE DOOR & FRAME SCHEDULE FOR PANEL SIGNAGE ASSOCIATED w/ A DOOR.
- SEE SHEET A-800 FOR SIGN DETAILS.

SIGNAGE NOTES

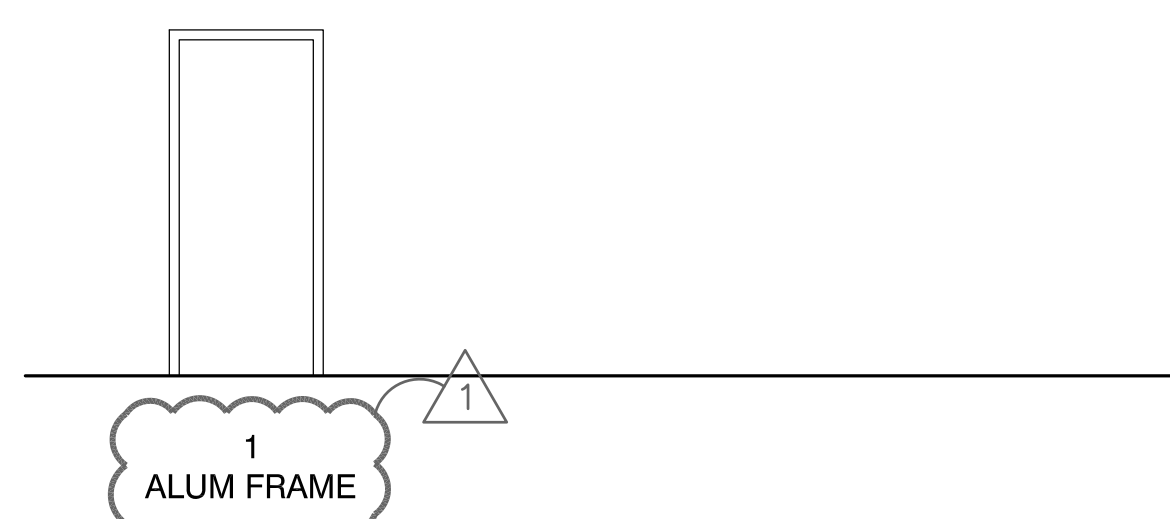
- SK1 PANEL WALL MOUNT

DOORS AND WINDOWS NOTES

- VERIFY ALL ROUGH OPENINGS DIMENSIONS PRIOR TO FABRICATION.
- ALL DOORS SHALL HAVE LEVER HARDWARE U.G.N. DOOR HANDLES, PULLS, LATCHES, LOCKS, AND OTHER OPERATING DEVICES SHALL BE INSTALLED MINIMUM 34" AND MAXIMUM 48" ABOVE FINISH FLOOR. (CBC 1008.1.9.2).
- ALL EXIT DOORS SHALL BE OPENABLE FROM INSIDE WITHOUT THE USE OF A KEY OR SPECIAL KNOWLEDGE (CBC 1008.1.9) AND THE FORCE REQUIRED TO PUSH OR PULL AN EGRESS DOOR TO THE OPEN POSITION SHALL NOT EXCEED 5 POUND (CBC 1008.1.3).
- CONTRACTOR SHALL PROVIDE POWER AS NECESSARY FOR FULL OPERATION OF KEYPAD ACCESS.
- PANIC HARDWARE SHALL CONTAIN A MINIMUM OF TWO LOCKING POINTS ON EACH DOOR.
- GLAZING IN DOORS OR WITHIN 40" OF ANY DOOR LOCKING MECHANISM SHALL BE FULLY TEMPERED SAFETY GLASS.
- ALL PEDESTRIAN DOORS AND GATES (EXCEPT SLIDING DOORS) SHALL BE PROVIDED WITH A KICKPLATE AT THE BOTTOM 10 INCHES OF THE PUSH SIDE OF THE DOOR.
- PROVIDE STEEL INSERTS AT STOREFRONTS AS REQUIRED.

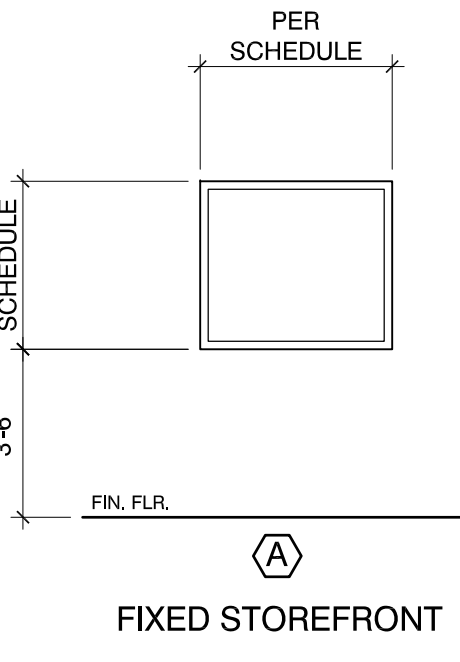


DOOR TYPES
SCALE: 1/4" = 1'-0"

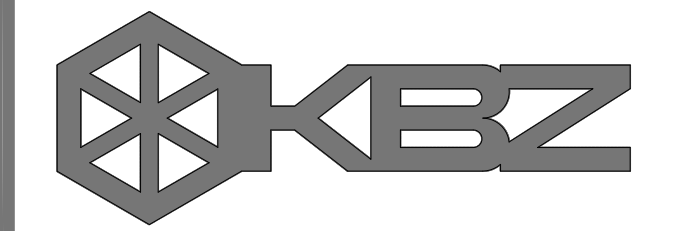


DOOR FRAME TYPES
SCALE: 1/4" = 1'-0"

WINDOW & LOUVER SCHEDULE														
WINDOW TYPE	NOMINAL SIZE		FRAME			GLASS (2)		SCREEN	ASSY FIRE RATING	DETAILS				REMARKS
	WIDTH	HEIGHT	MATERIAL	FIN	COLOR	TYPE	THK			HEAD	L JAMB	R JAMB	SILL	
A	4'-0"	3'-6"	ALUM.	FF	TBD	GL-1	1/4"	-	NONE	18 A-800	18 A-800	18 A-800	18 A-800	FIXED STOREFRONT

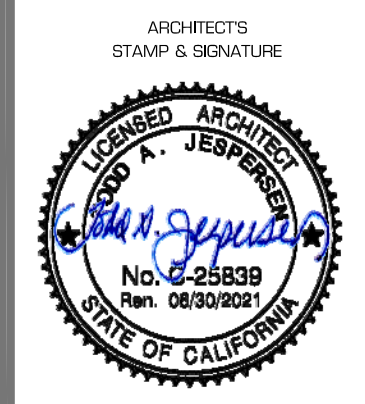


WINDOW TYPES
SCALE: 1/4" = 1'-0"



KRUGER BENSEN ZIEMER ARCHITECTS, INC. AIA
 199 FERGUSON ST., SUITE 100A VENTURA, CA 93001
 TELEPHONE (805) 650-1033
TODD A. JESPERSEN, AIA
 PRINCIPAL/ARCHITECT
JONATHAN D. LEE
 ARCHITECTURAL ASSISTANT

All ideas, design arrangements and plans indicated or represented by this drawing are owned by and are the property of Kruger-Bensen-Ziemer, AIA, architects, and were created, edited and developed for use on, and in connection with, the specific project. None of such ideas, designs, arrangements or plans shall be used by or disclosed to any person, firm or corporation for any purpose whatsoever without the written permission of Kruger-Bensen-Ziemer.



△	-	-/-	XX
△	-	-/-	XX
△	-	-/-	XX
△	-	-/-	XX
△	REVISION 01	9/11/19	TJ
REVISION	DESCRIPTION	DATE	BY

DRAWN JL
 CHECKED TJ
 DATE 1/19/2018
 JOB. NO. 18015

SHEET DOOR & WINDOW SCHEDULE
 TITLE

ROOM FINISH SCHEDULE

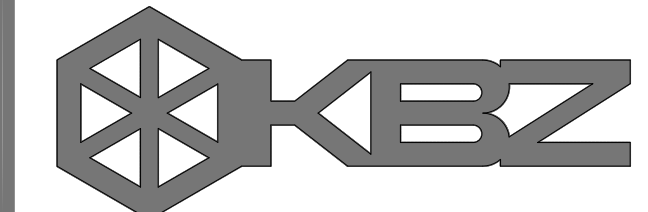
ROOM NO.	ROOM NAME	FLOOR			BASE		WAINSCOT				WALLS								CEILING			REMARKS						
		SUB FLOOR	FLOOR MATERIAL	FINISH	COLOR	MATERIAL	FINISH	COLOR	MATERIAL	FINISH	COLOR	HEIGHT	NORTH		EAST		SOUTH		WEST		MATERIAL		FINISH	COLOR	HEIGHT			
													MATERIAL	FINISH	COLOR	MATERIAL	FINISH	COLOR	MATERIAL	FINISH						COLOR	MATERIAL	FINISH
K-3	LOBBY	F1	F3	FN3	C5	B1/B2	FN1	C2/C4	-	-	-	-	W1	FN2	P1	W2/3	FN1/2	P1/2&C6	W2	FN2	P1	W1	FN2	P1	CL3	-	-	VARIES
K-4A	HALL	F1	F3	FN3	C5	B1	FN1	C2	-	-	-	-	W1	FN2	P1	W2	FN2	P1	W1/2	FN2	P1	W1	FN2	P1	CL3	-	-	VARIES
K-4B	HALL	F1	F3	FN3	C5	B1	FN1	C2	-	-	-	-	W2	FN2	P1	W1	FN2	P1	W4	FN1	-	W2	FN2	P1	CL3	-	-	VARIES
K-6	CONFERENCE	F1	F2	FN1	C1	B1	FN1	C2	-	-	-	-	W2/4	FN1/2	P1	W1	FN2	P1	W1	FN2	P1	W1	FN2	P1	CL3	-	-	VARIES
K-12	RECEPTION	F1	F2	FN1	C1	B1	FN1	C2	-	-	-	-	W1/2	FN2	P1	W1	FN2	P1	W1	FN2	P1	W2	FN2	P1	CL3	-	-	VARIES

ROOM FINISH NOTES

1. ALL FINISHES SHALL COMPLY WITH CBC CHAPTERS 3, 4, 6, 7, 8, 10 AND 11B AND CFC.
2. ALL EXPOSED STEEL FRAMING AND CONNECTORS AT BUILDING INTERIOR SHALL BE PAINTED.
3. ALL EXPOSED SPRINKLER PIPING AT BUILDING INTERIOR SHALL BE PAINTED.
4. ALL EXPOSED DUCTWORK SHALL BE PAINTED.
5. ALL EXPOSED GYPSUM BOARD SHALL RECEIVE A LEVEL 4 FINISH.
6. ALL INTERIOR WALL AND CEILING FINISHES SHALL MEET THE FLAMESPREAD AND SMOKE DEVELOPED INDEXES OF CBC TABLE 803.9.
7. FURNISH AND INSTALL 4'-0" HIGH 1" STAINLESS STEEL CORNER GUARDS AT ALL OUTSIDE WALL CORNERS WITHIN THE BUILDING.
8. CONTRACTOR SHALL BE RESPONSIBLE FOR SHOP DRAWINGS AND PROVIDING AND INSTALLING THE REQUIRED FACILITY INFRASTRUCTURE FOR THE SUPPORT SYSTEM SERVING ALL EQUIPMENTS. SUPPORT SYSTEMS INCLUDE, BUT NOT LIMITED TO CONDUITS, WIRES AND BOXES, UTILITIES SERVING ALL APPLIANCES. CONTRACTOR SHALL PROVIDE AND INSTALL ALL STRUCTURAL, MECHANICAL, PLUMBING, ELECTRICAL AND OTHER REQUIRED SUPPORT SERVICES NECESSARY TO SUPPORT THE OPERATION OF THE BUILDING COMPONENTS.
9. ALL FINISH FLOORING SURFACES SHALL BE FIRM, STABLE, AND SLIP RESISTANT.

OXNARD UNION HIGH SCHOOL DISTRICT
 CHANNEL ISLANDS HIGH SCHOOL
 1400 RAIDERS WAY, OXNARD, CA 93033
 SITE SECURITY IMPROVEMENTS

MATERIALS LEGEND		MISC COLOR LEGEND	
Subfloor/Flooring	F1 (E) CONCRETE SUBFLOOR	C1 ENHANCED RESILIENT TILE COLOR AND PATTERN TBD	Paint Color Legend
	F2 (N) ENHANCED RESILIENT TILE	C2 RUBBER BASE COLOR TBD	
	F3 EXPOSED (E) CONCRETE, PATCH AS REQUIRED.	C3 "TECTUM" ACOUSTIC CEILING PANEL COLOR TBD	
	C4 2" DRMB ALUM. BASE COLOR TBD		
	C5 EXPOSED CONCRETE PATTERN & COLOR TBD		
	C6 WOOD PATTERN HIGH PRESSURE LAMINATE COLOR TBD		
Base	B1 (N) 4" RUBBER BASE	Paint Color Legend	
	B2 (N) 2" DRMB ALUM. DRYWALL REVEAL BASE		
Walls	W1 (E) GYP. BRD.		P1 DUNN EDWARDS, PAINT COLOR: T.B.D. (WALLS & CEILINGS)
	W2 (N) GYP. BRD.		P2 DUNN EDWARDS, PAINT COLOR: T.B.D. (DISPLAY CASE)
	W3 (N) WOOD PATTERN HIGH PRESSURE LAMNATE		
	W4 (N) DEEP MULLION CURTAIN WALL SYSTEM		
Ceilings	CL1 (E) ACOUSTICAL PANELS		
	CL2 (N) ACOUSTICAL PANELS		
	CL3 (E) GYP. BRD. CEILING		
Finish	FN1 FACTORY FINISH		
	FN2 PAINT		
	FN3 STAINED		
KEYNOTES		GENERAL NOTES	
1 NOT USED		<ol style="list-style-type: none"> 1. DIRECTIONAL LOCATIONS INDICATED ON ROOM FINISH SCHEDULES ARE ORIENTATED ACCORDING TO TRUE NORTH AS SHOWN ON PLAN 2. ALL WALLS TO BE PAINTED P1 U.N.O. 3. PROVIDE TRANSITIONS AT ALL FLOORING MATERIAL CHANGES - REF DETAILS THIS SHEET. 4. ALL MATERIALS TO MEET CBC TABLE 8A FOR FRAME SPREAD. 5. INTERIOR WALL AND CEILING FINISHES SHALL BE CLASSIFIED FOR FIRE PERFORMANCE AND SMOKE DEVELOPMENT PER 2016 CALIFORNIA BUILDING CODE, SEC. 803. 6. INTERIOR WALL AND CEILING FINISHES SHALL BE CLASSIFIED BY OCCUPANCY PER TABLE 803.9 OR BE TESTED PER SEC. 803.12 (NFPA 286 CRITERIA) OF 2016 CALIFORNIA BUILDING CODE. 7. TEXTILE WALL AND VINYL COVERINGS SHALL BE TESTED PER SEC. 803.1.3 ACCEPTANCE CRITERIA OF NFPA 265 OR PER SEC. 803.1.4 ACCEPTANCE CRITERIA TESTED TO ASTM E84 OR UL 723 CLASS A FLAME SPREAD INDEX AND HAVE AFSS PER SEC. 903.1.1 OR 903.1.1.2, 2010 CALIFORNIA BUILDING CODE. <ol style="list-style-type: none"> a. EXCEPTION: 803.2 MATERIALS LESS THAN 0.036" THICK APPLIED DIRECTLY NEED NOT BE TESTED. b. PER SEC. 803.5, TEXTILE WALL COVERINGS, INCLUDING CARPET, SHALL BE TESTED USING PRODUCT MOUNTING SYSTEM INCLUDING ADHESIVE. c. PER SEC. 803.6, TEXTILE CEILING COVERINGS SHALL BE TESTED USING PRODUCT MOUNTING SYSTEM INCLUDING ADHESIVE. d. PER SEC. 803.7, EXPANDED VINYL WALL COVERINGS SHALL BE TESTED USING PRODUCT MOUNTING SYSTEM INCLUDING ADHESIVE. e. PER SEC. 803.8, EXPANDED VINYL CEILING COVERINGS SHALL BE TESTED USING PRODUCT MOUNTING SYSTEM INCLUDING ADHESIVE. 8. PER SEC. 803.8.10, STABILITY - INTERIOR FINISH MATERIALS WILL NOT BECOME READILY DETACHED WHERE SUBJECTED TO ROOM TEMP. OF 200 DEG. F FOR 30 MIN. 8. DECORATIVE TRIM & MATERIALS SHALL COMPLY WITH 2016 CALIFORNIA BUILDING CODE. 9. THERMAL AND ACOUSTICAL INSULATION SHALL COMPLY WITH SEC. 719, 2010 CALIFORNIA BUILDING CODE. 	

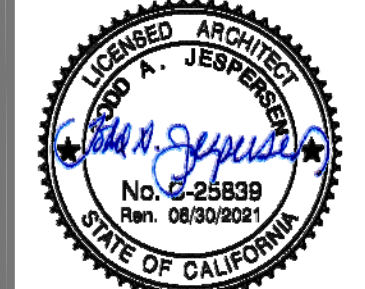


KRUGER BENSEN ZIEMER ARCHITECTS, INC. AIA
 199 FIELSON ST., SUITE 100A VENTURA, CA 93001
 TELEPHONE (805) 650-1033

TODD A. JESPERSEN, AIA
 PRINCIPAL ARCHITECT
JONATHAN D. LEE
 ARCHITECTURAL ASSISTANT

All ideas, design arrangements and plans indicated or represented by this drawing are owned by and are the property of Kruger-Bensen-Ziemer, AIA, architects, and may be created, copied and distributed for use on, and in connection with, the specific project. None of such ideas, designs, arrangements or plans shall be used by or disclosed to any person, firm or corporation for any purpose whatsoever without the written permission of Kruger-Bensen-Ziemer.

ARCHITECTS
 STAMP & SIGNATURE



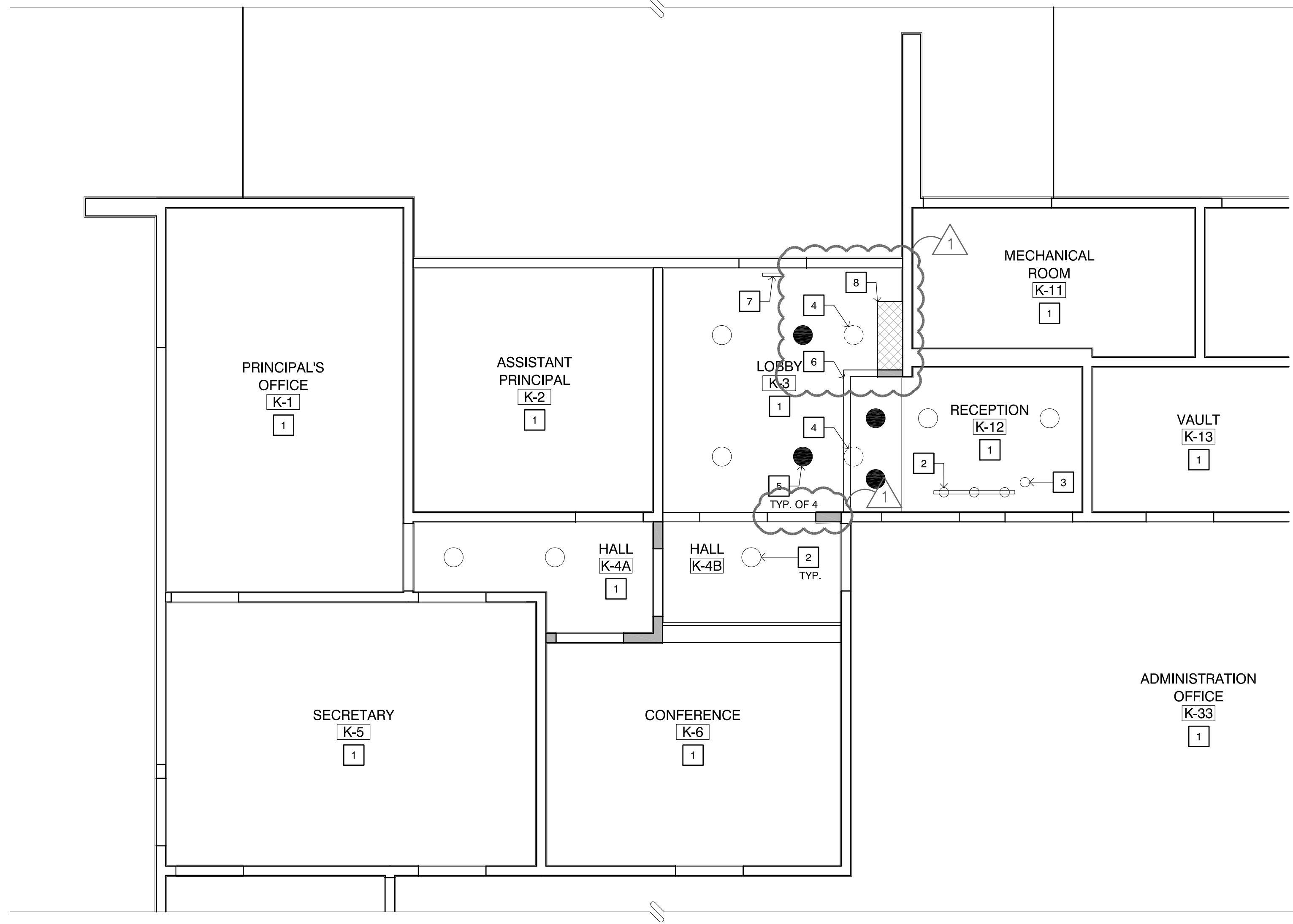
△	-	-/-	XX
△	-	-/-	XX
△	-	-/-	XX
△	-	-/-	XX
△	-	-/-	XX

REVISION	DESCRIPTION	DATE	BY
REVISIONS.01		9/11/19	TJ

DRAWN: JL
 CHECKED: TJ
 DATE: 1/19/2018
 JOB NO: 18015

SHEET TITLE: ROOM FINISH SCHEDULE
 SHEET:

A-402



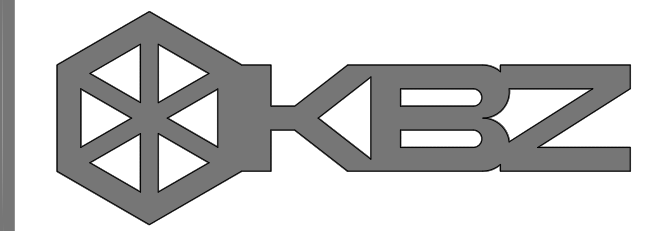
CEILING PLAN KEYNOTES

- 1 (E) CEILING TO REMAIN
- 2 (E) LIGHT FIXTURE TO REMAIN
- 3 (E) SMOKE DETECTOR TO REMAIN
- 4 REMOVE (E) LIGHT FIXTURE, PATCH CEILING TO MATCH (E)
- 5 (N) LIGHT FIXTURE: LITHONIA WF6-LED-35K-MW WITH WFJBU HANGER AND WFEX CABLE AS REQUIRED
- 6 (N) SECURITY STOREFRONT
- 7 (N) LOCATION FOR (E) EXIT SIGN
- 8 PATCH & REPAIR CEILING AS REQD. MATCH (E) ADJACENT FINISHES

LEGEND

- (N) WALL, MATCH (E) ADJACENT FINISHES
- (N) CEILING PATCH AS REQUIRED

1 REFLECTED CEILING PLAN
SCALE: 1/4" = 1'-0"



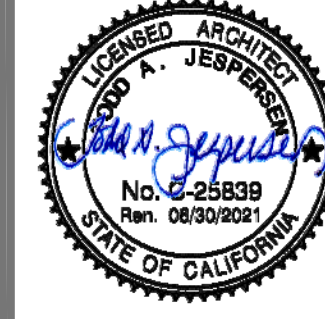
KRUGER BENSEN ZIEMER ARCHITECTS, INC. AIA
 199 FIELDRON ST., SUITE 100A VENTURA, CA 93001
 TELEPHONE (805) 850-1033

TODD A. JESPERSEN, AIA
 PRINCIPAL/ARCHITECT

JONATHAN D. LEE
 ARCHITECTURAL ASSISTANT

All ideas, design arrangements and plans indicated or represented by this drawing are owned by and are the property of Kruger-Bensen-Ziemer, AIA, architects, and were created, reduced and developed for use on, and in connection with, the specific project. None of such ideas, design, arrangements or plans shall be used by or disclosed to any person, firm or corporation for any purpose whatsoever without the written permission of Kruger-Bensen-Ziemer.

ARCHITECTS
 STAMP & SIGNATURE



△	-	--/	XX
△	-	--/	XX
△	-	--/	XX
△	-	--/	XX
△	-	--/	XX
△	REVISIONS, 01	9/11/19	TJ
△	REVISION DESCRIPTION	DATE	BY

DRAWN JL
 CHECKED TJ
 DATE 1/19/2018
 JOB. NO. 18015

SHEET REFLECTED CEILING PLAN
 TITLE

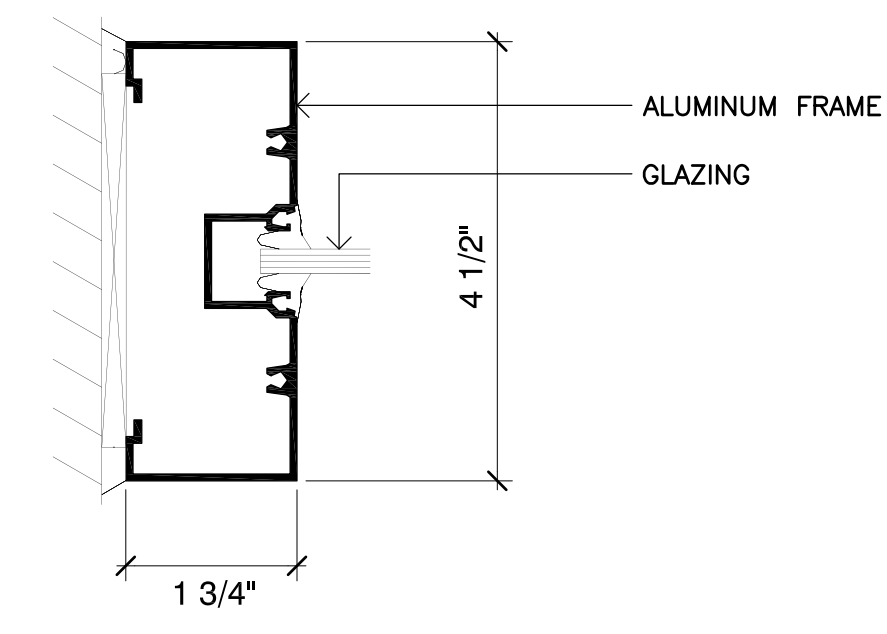
SHEET

A-600

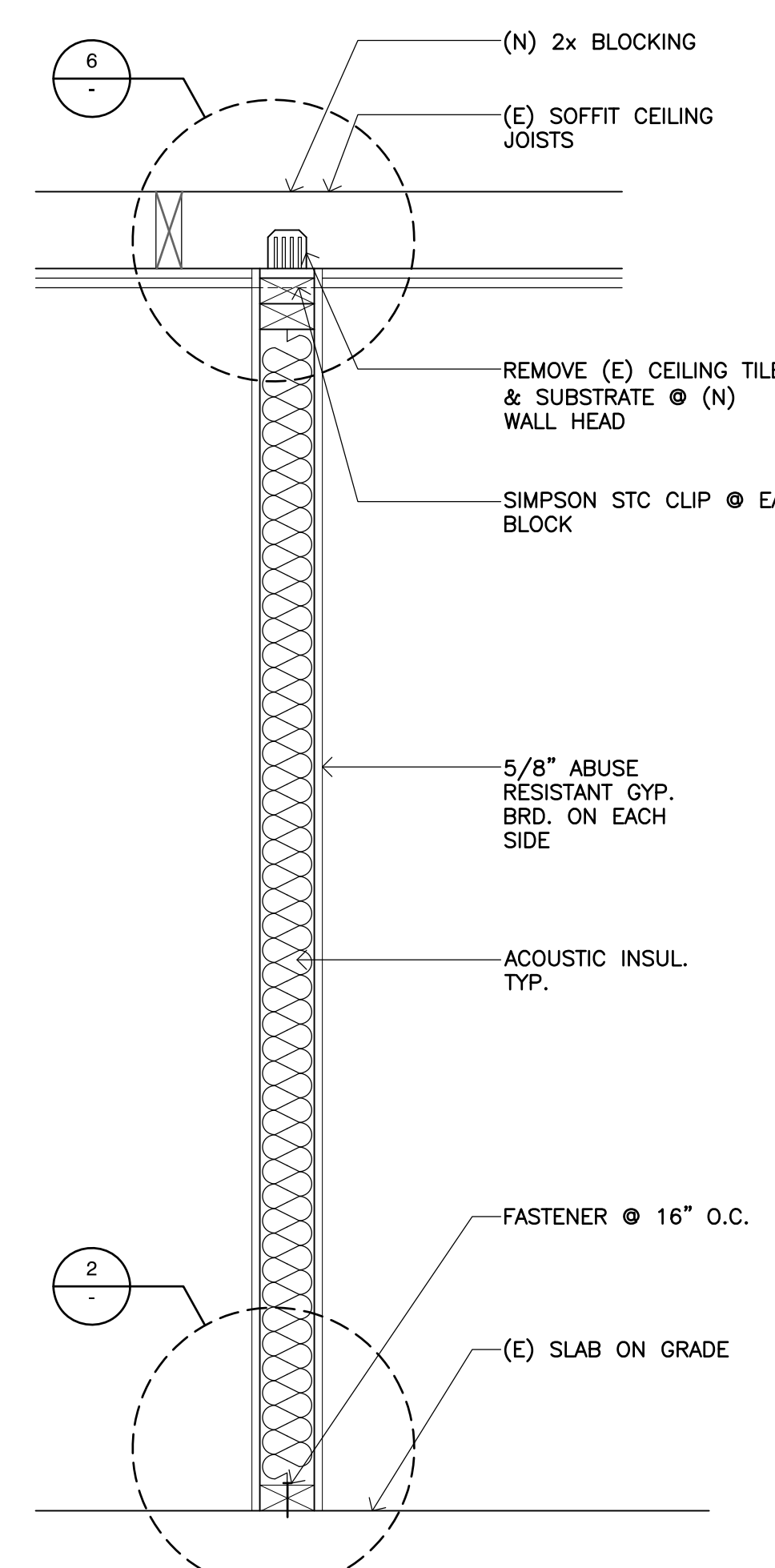
16 Deep Mullion Curtain Wall Mullion
SCALE: 3" = 1'-0"



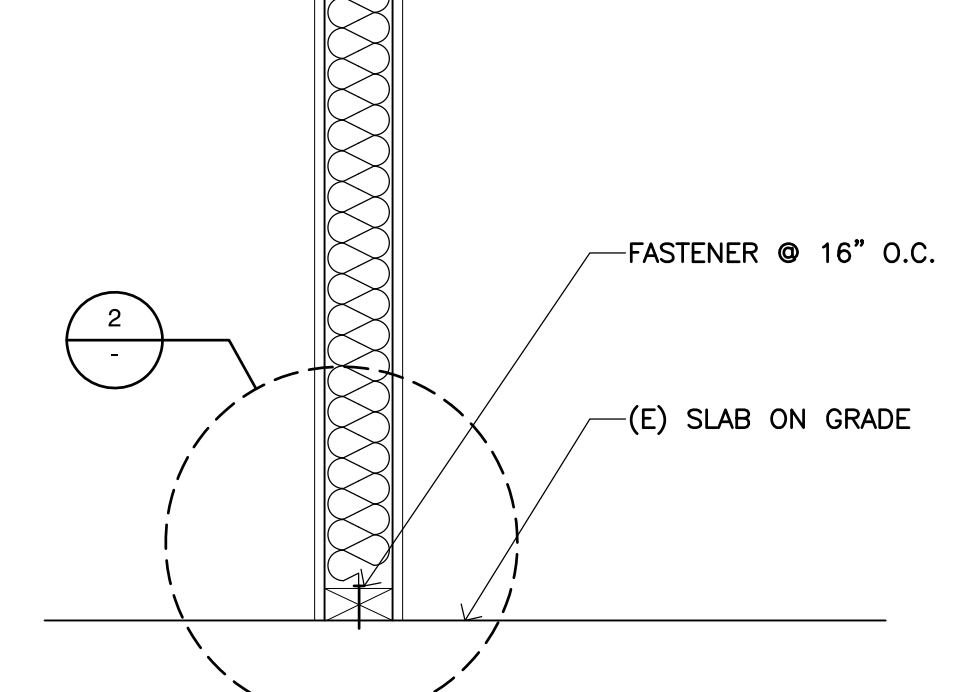
17 Deep Mullion Curtain Wall Sill
SCALE: 3" = 1'-0"



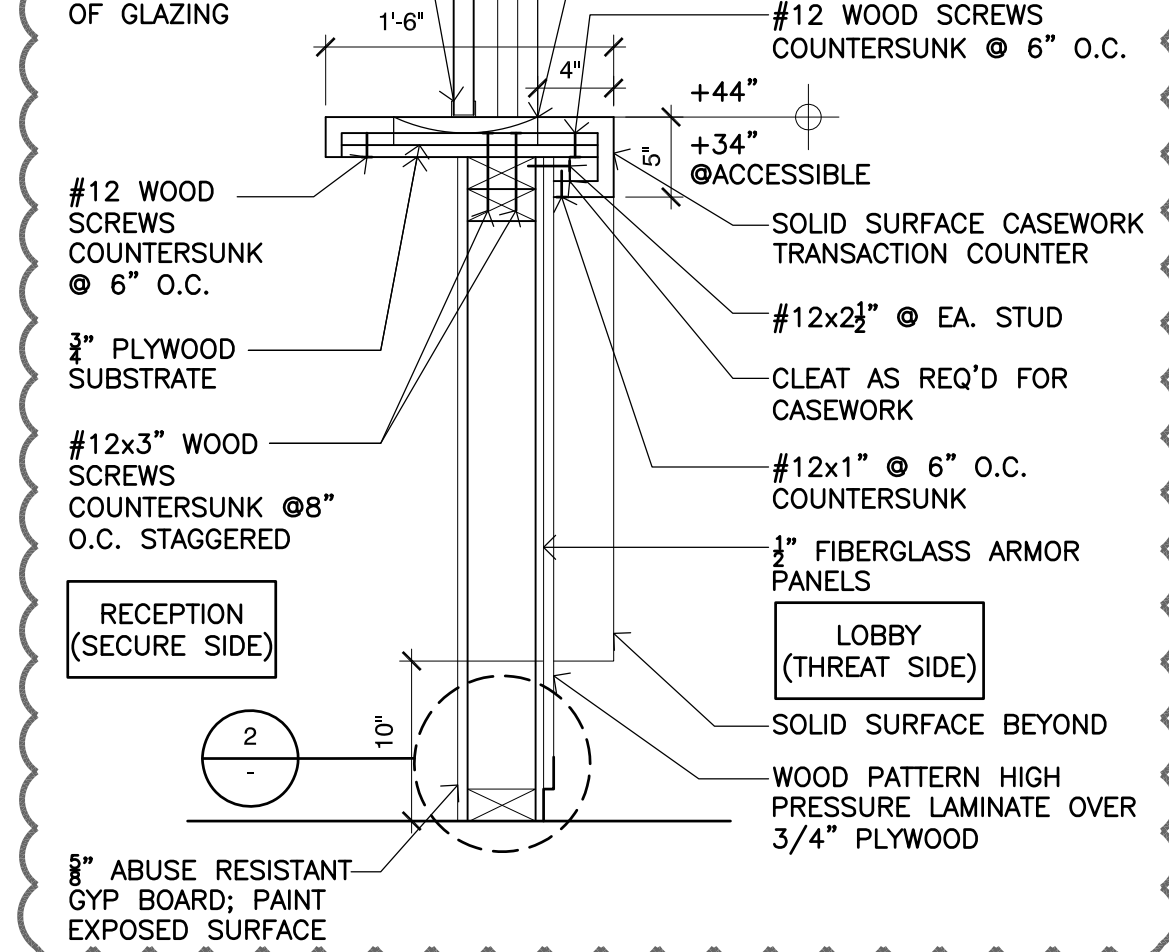
18 Fixed Storefront
SCALE: 6" = 1'-0"



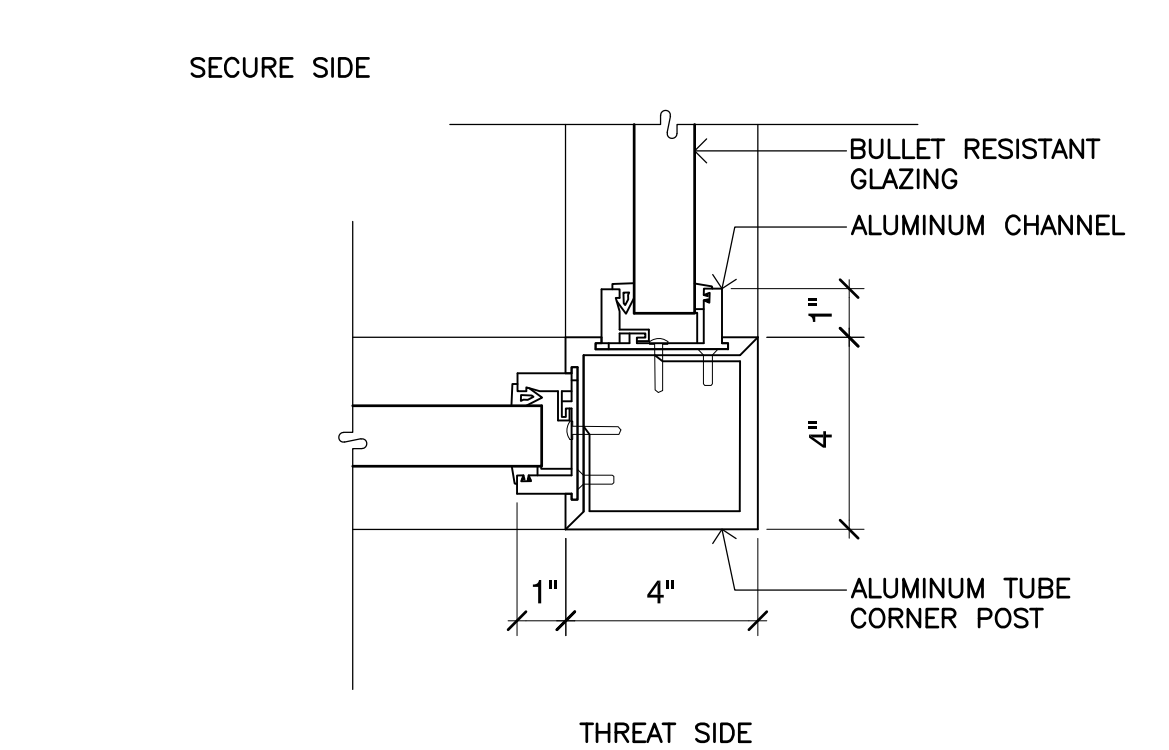
19 Wall Section
SCALE: 1" = 1' - 0"



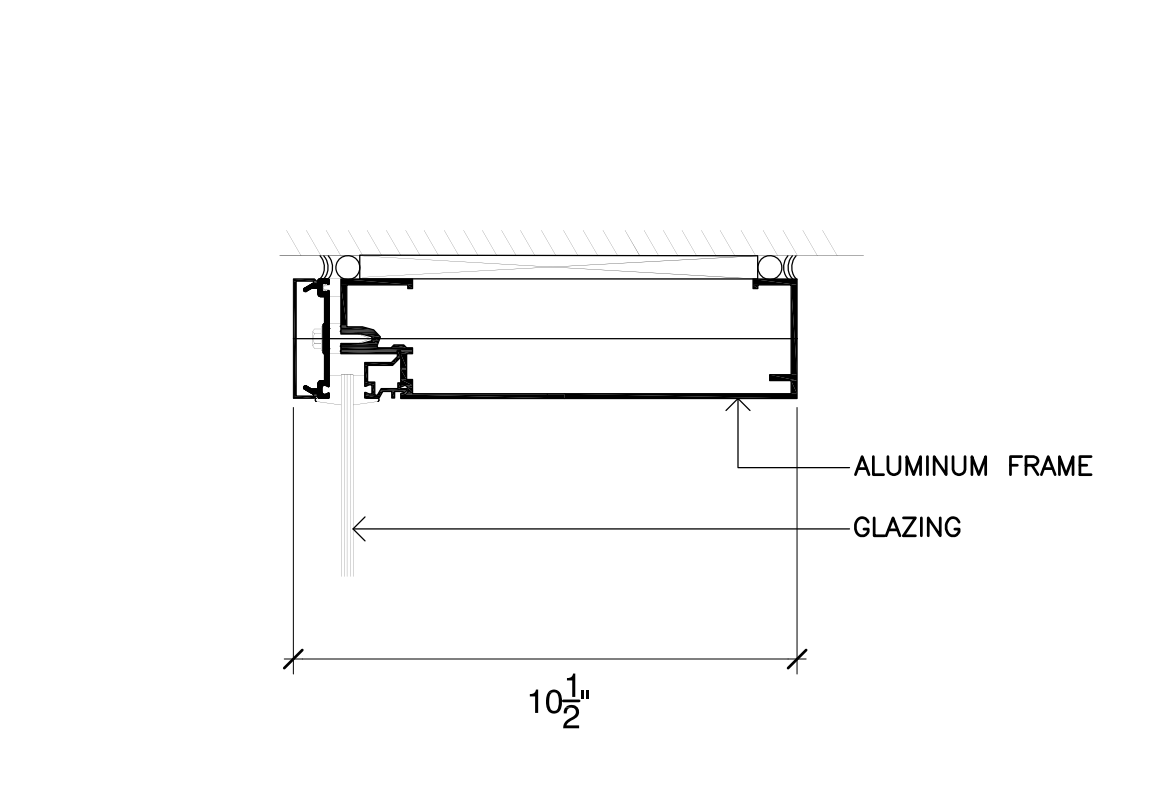
12 Storefront Wall Section
SCALE: 1" = 1' - 0"



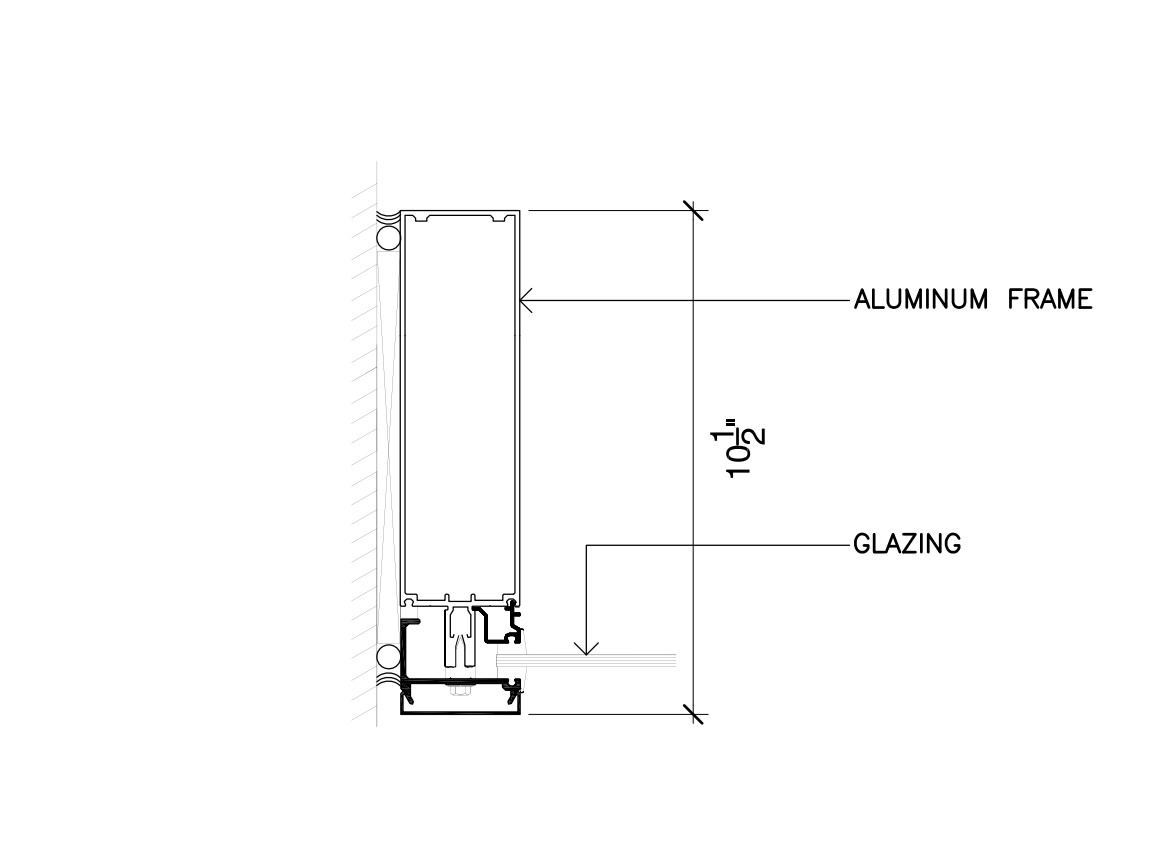
13 Storefront Corner
SCALE: 3" = 1'-0"



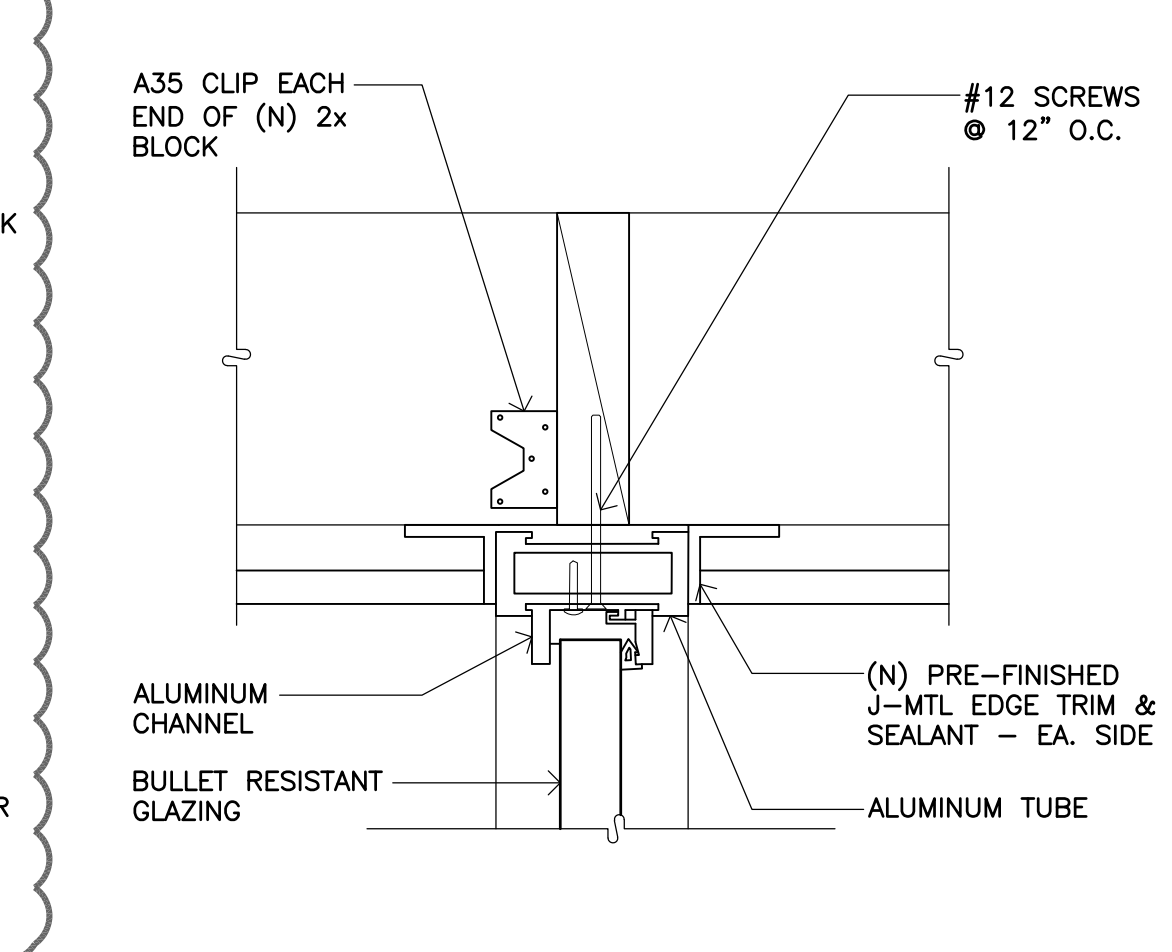
14 Deep Mullion Curtain Wall Head
SCALE: 3" = 1'-0"



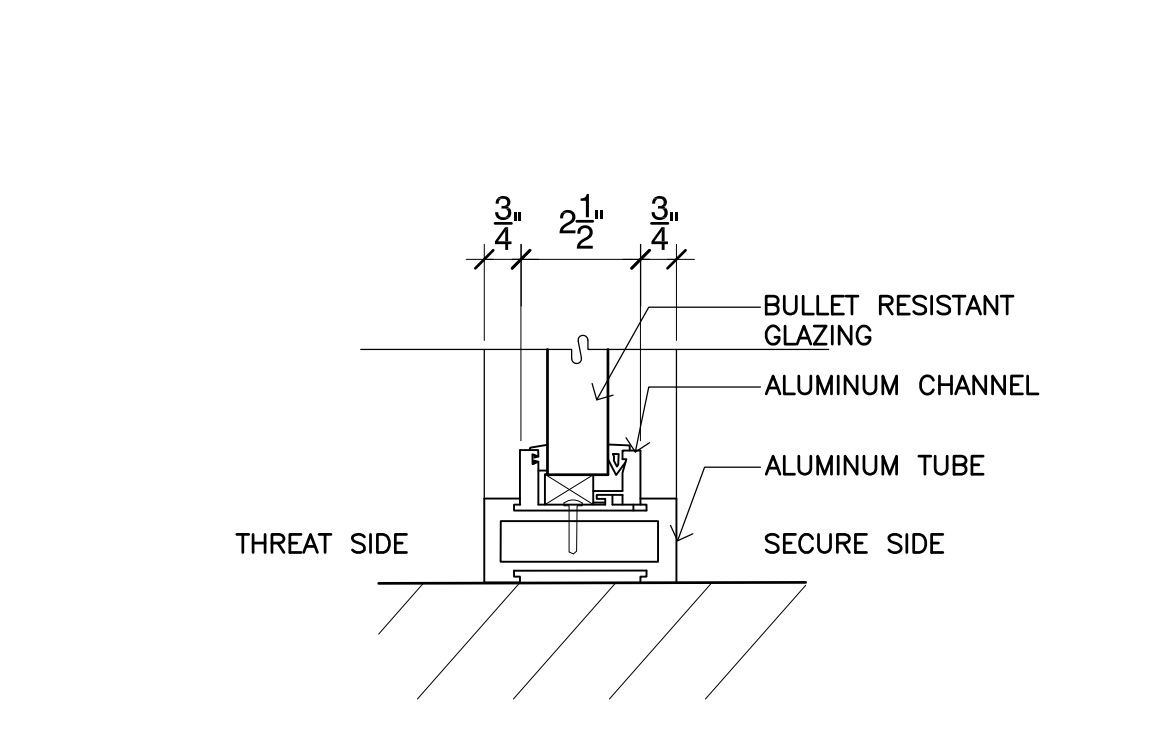
15 Deep Mullion Curtain Wall Jamb
SCALE: 3" = 1'-0"



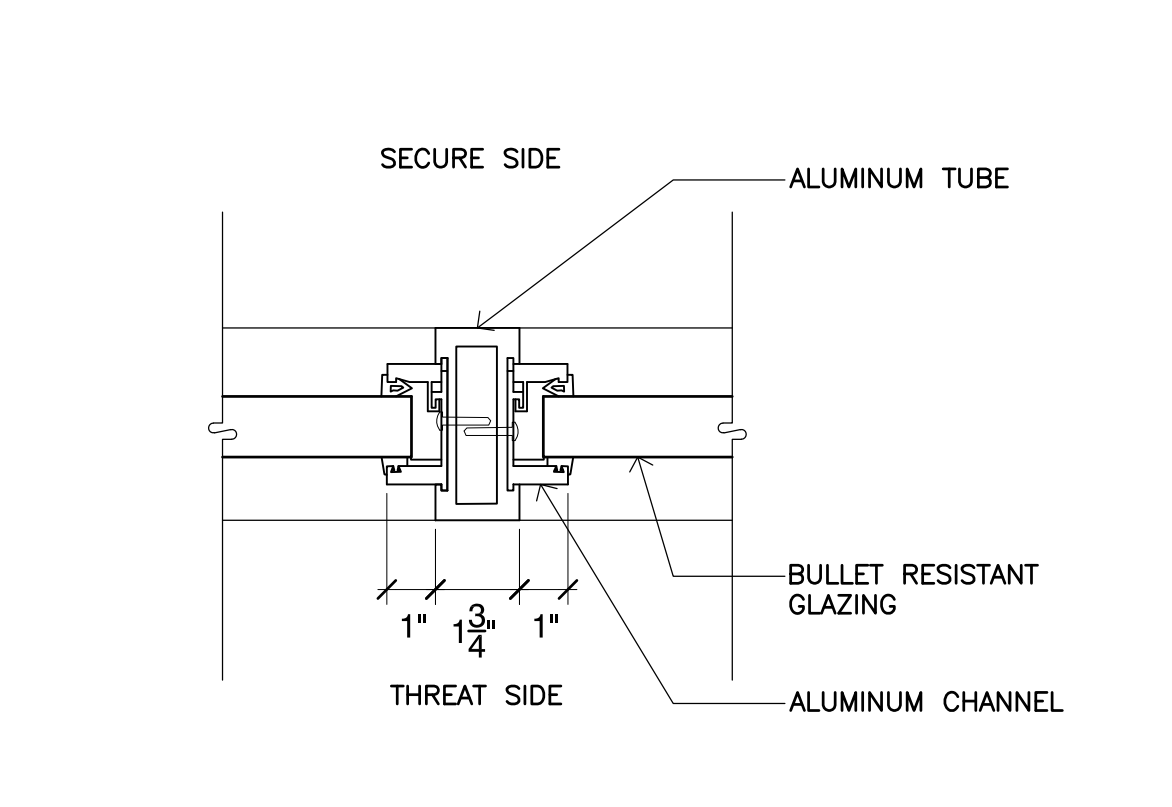
7 Door Sill & Transition Strip
SCALE: 3" = 1'-0"



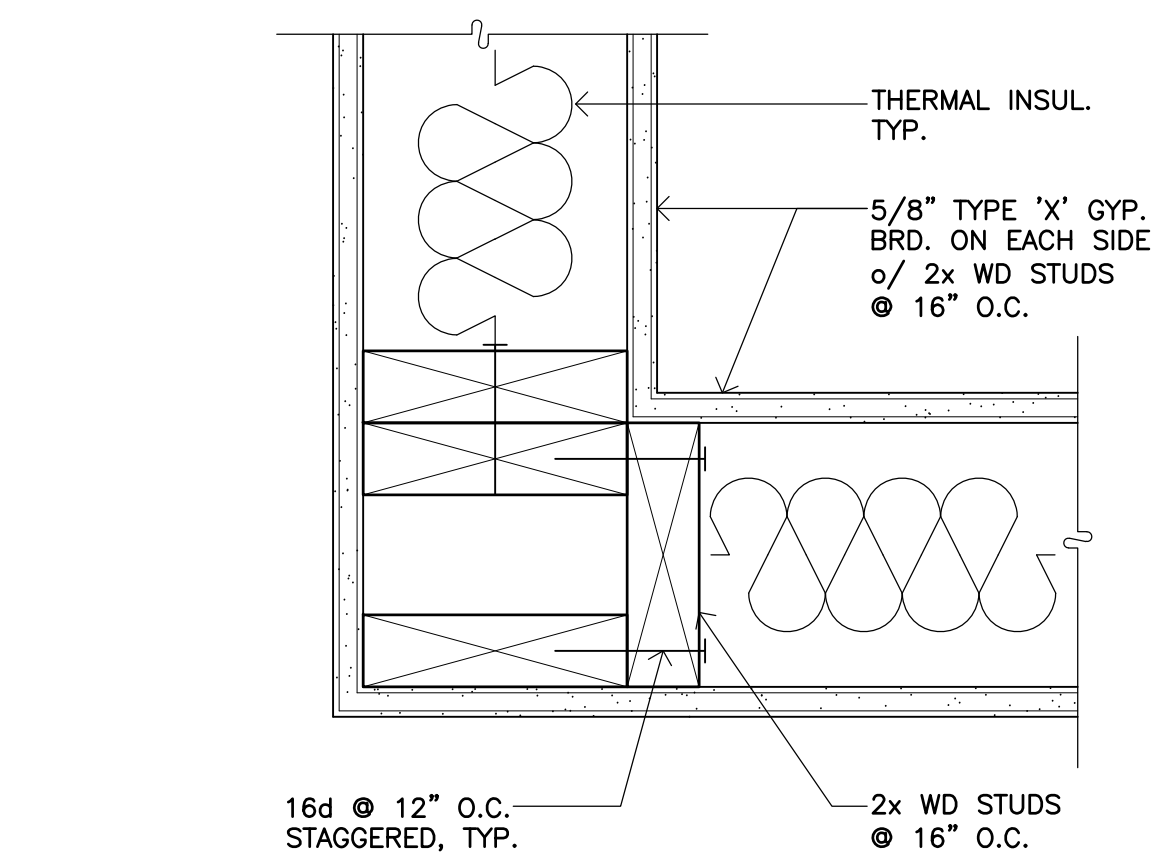
8 Storefront Head (Jamb Sim.)
SCALE: 3" = 1'-0"



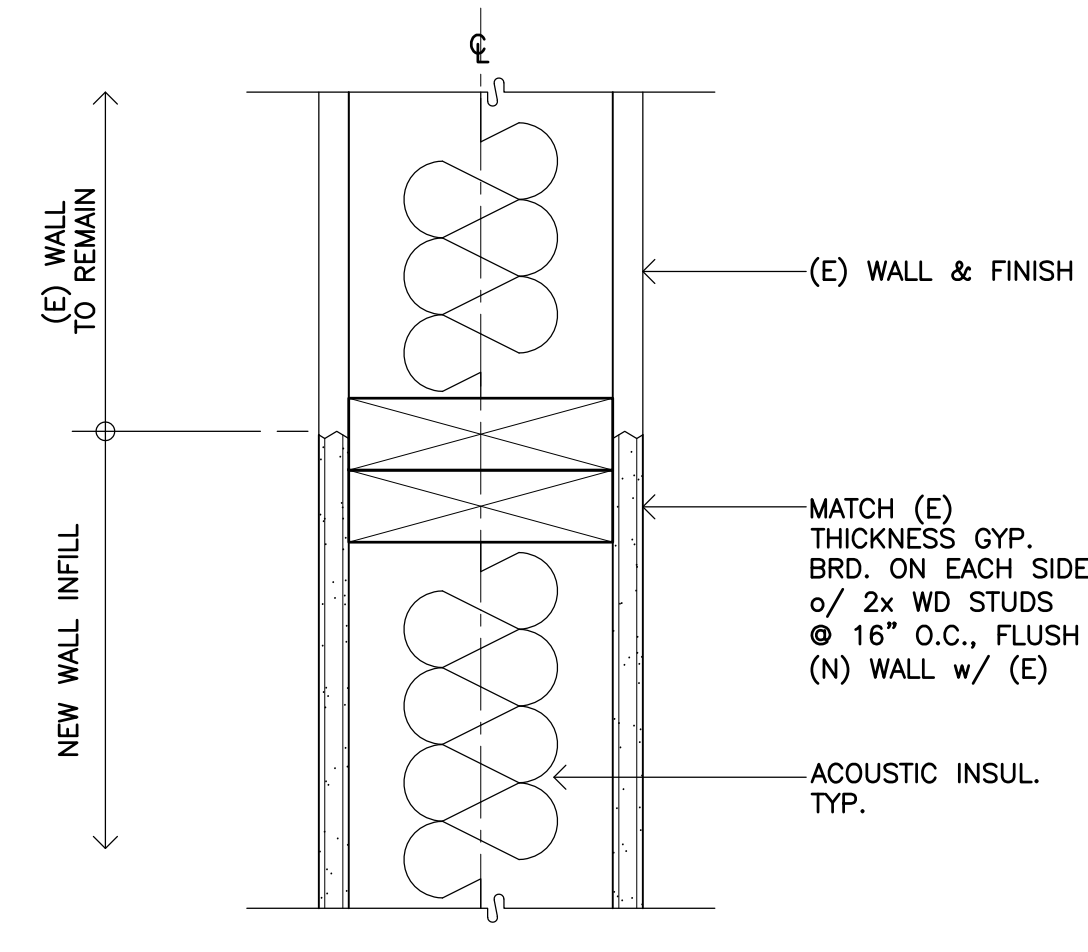
9 Storefront Sill
SCALE: 3" = 1'-0"



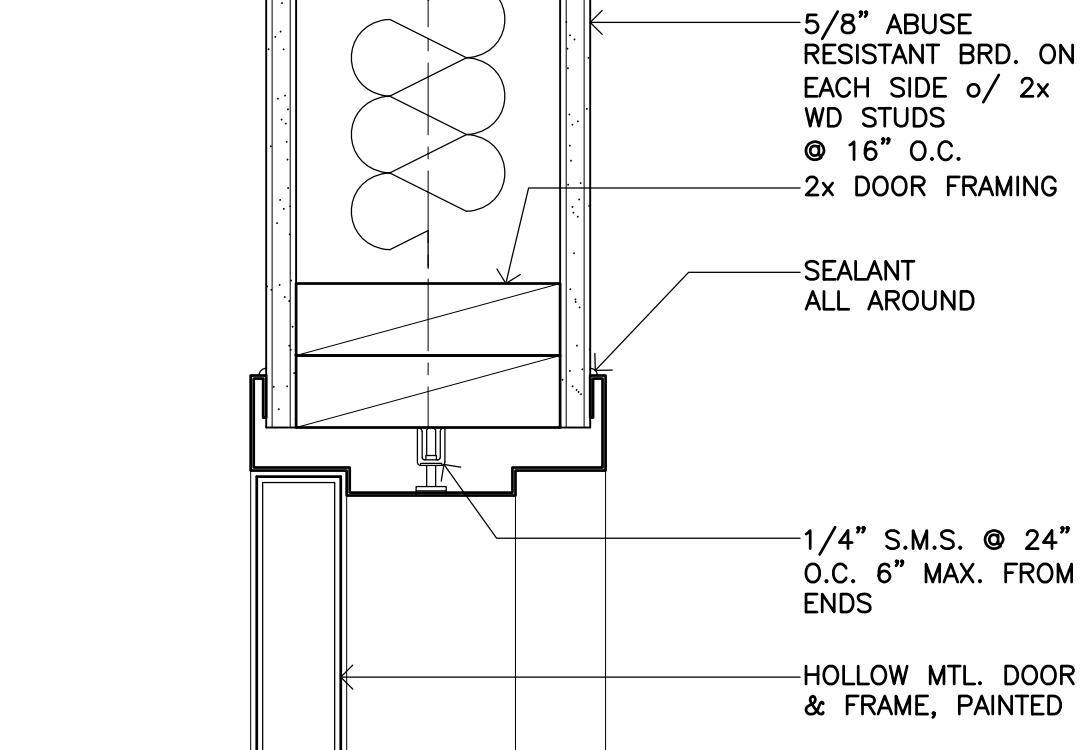
10 Storefront Mullion
SCALE: 3" = 1'-0"



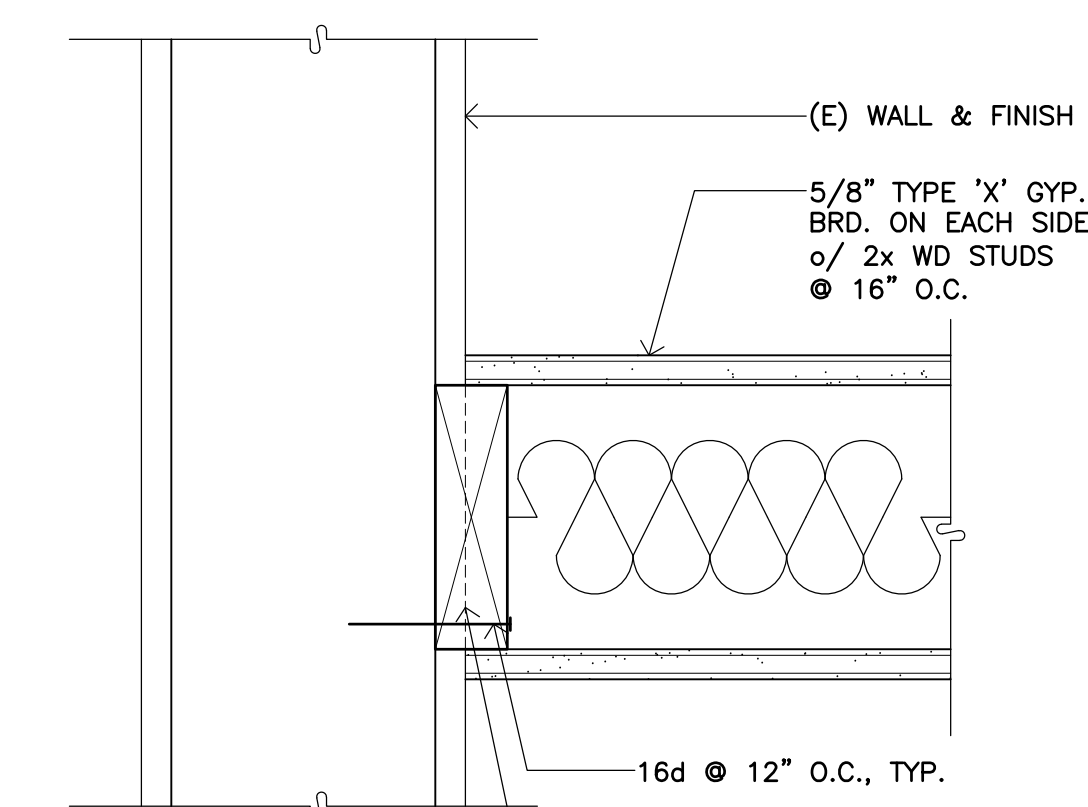
2 Non-bearing Interior Wall to Conc.
SCALE: 3" = 1'-0"



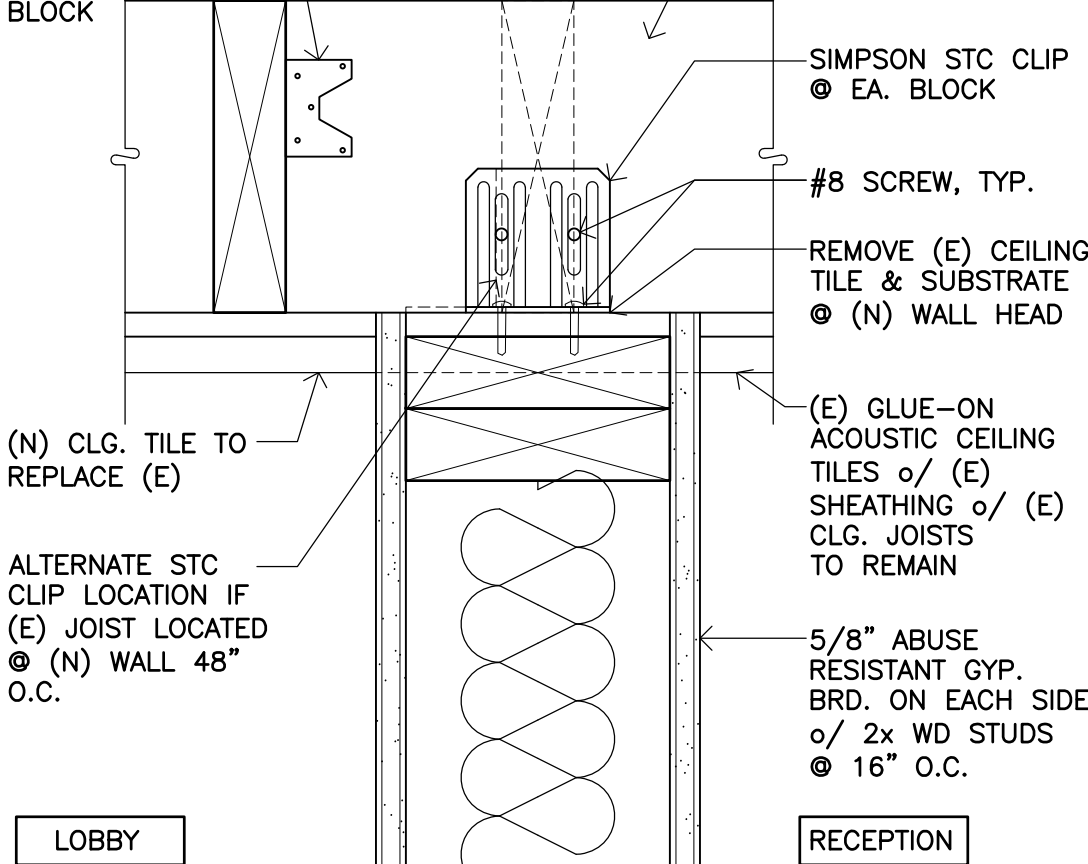
3 Typ. Wall Infill
SCALE: 3" = 1'-0"



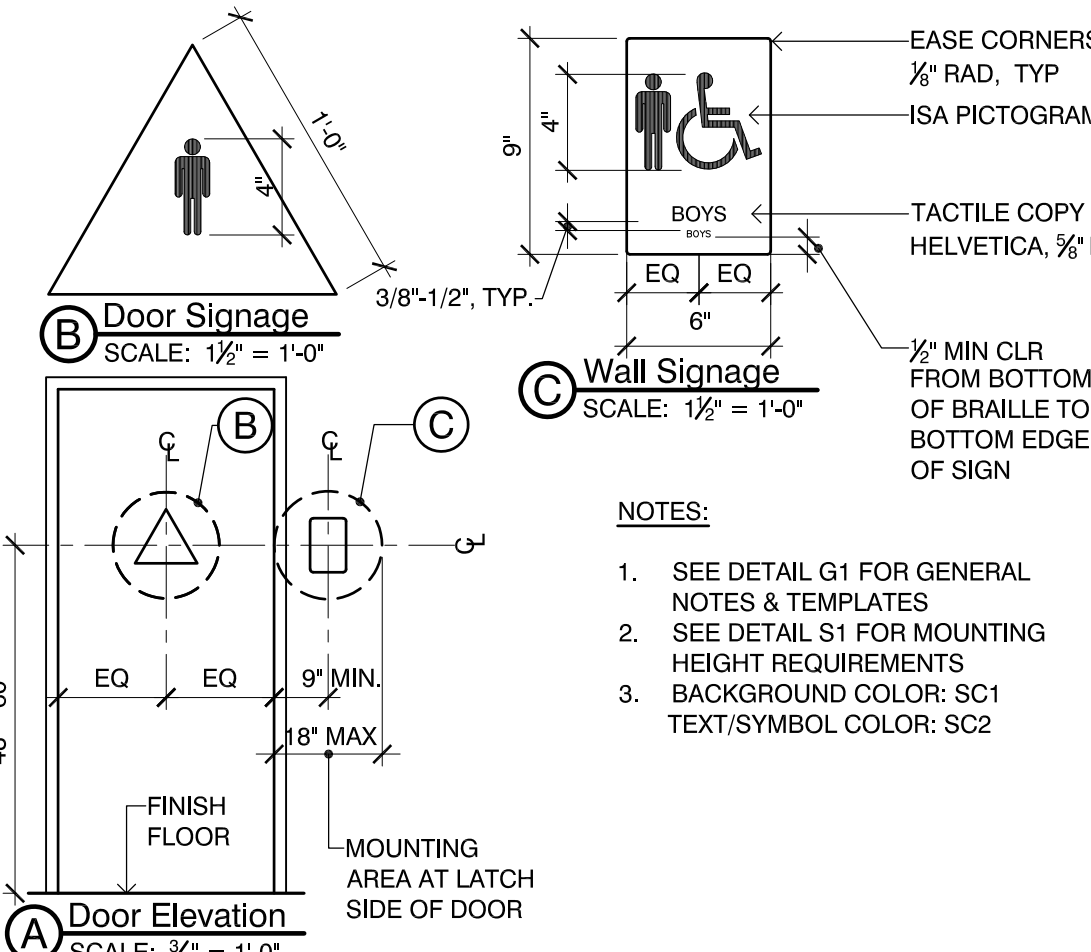
4 Head at Interior Door (Jamb Sim.)
SCALE: 3" = 1'-0"



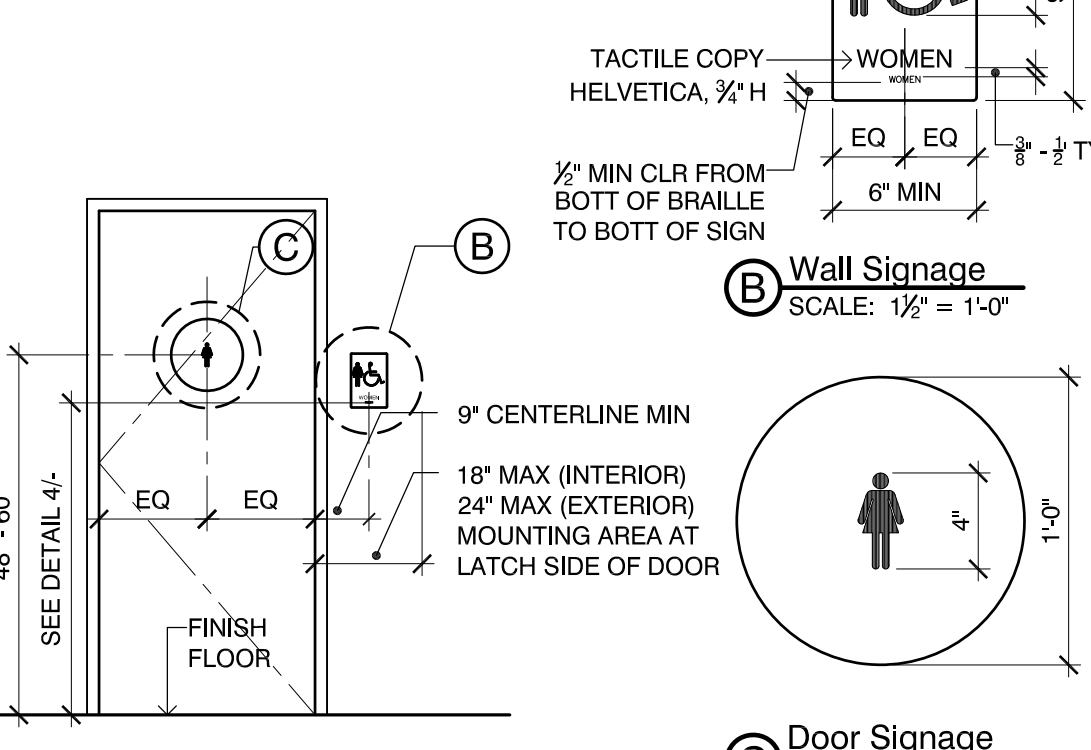
5 Wall Detail
SCALE: 3" = 1'-0"



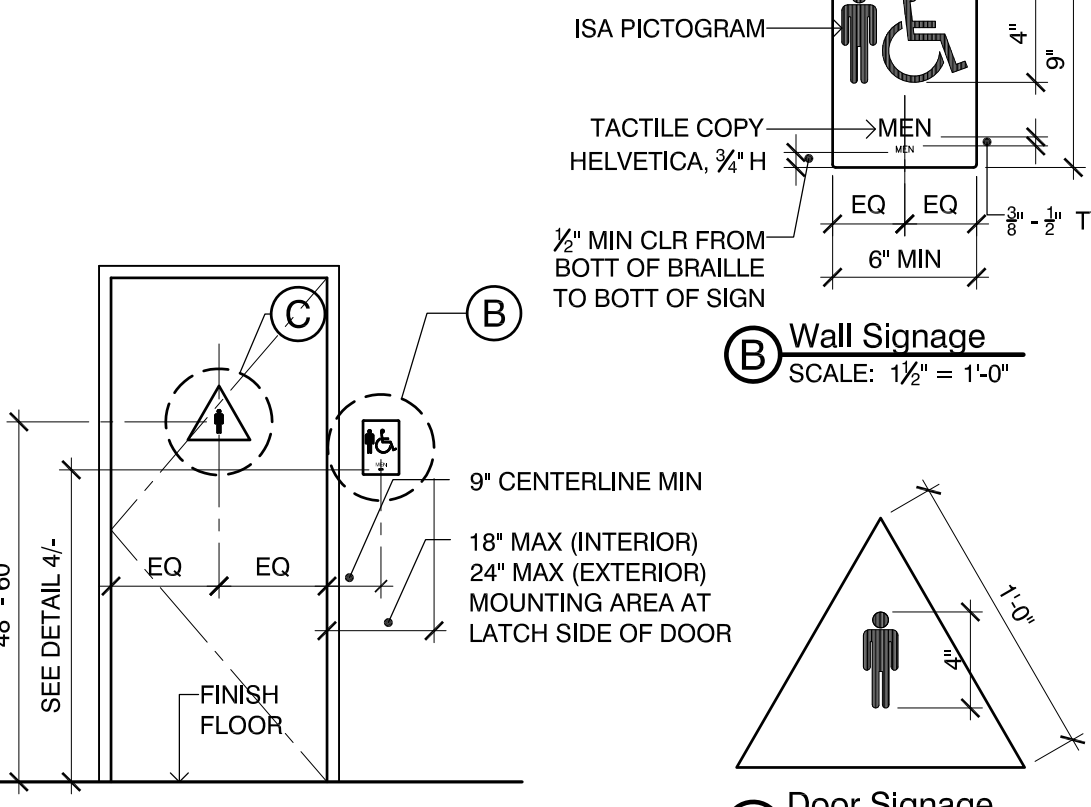
S2 Girls Restroom Signage
SCALE: AS NOTED



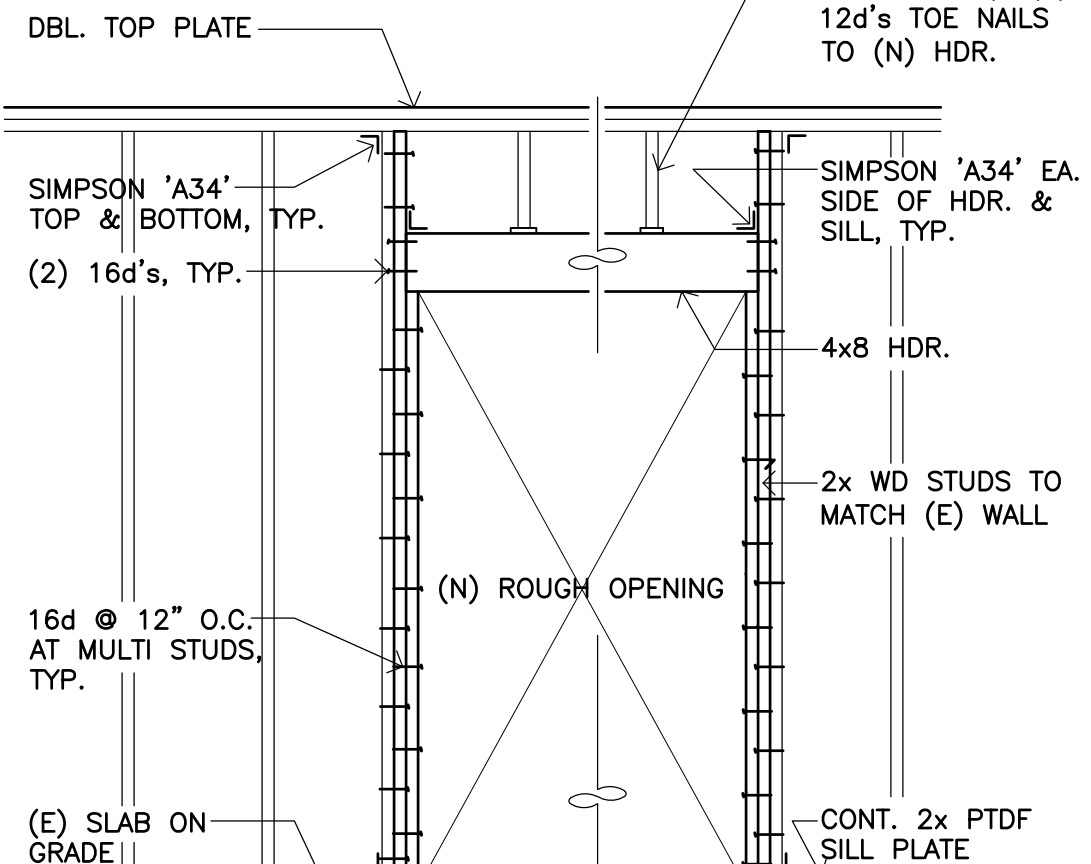
S3 Boys Restroom Signage
SCALE: AS NOTED



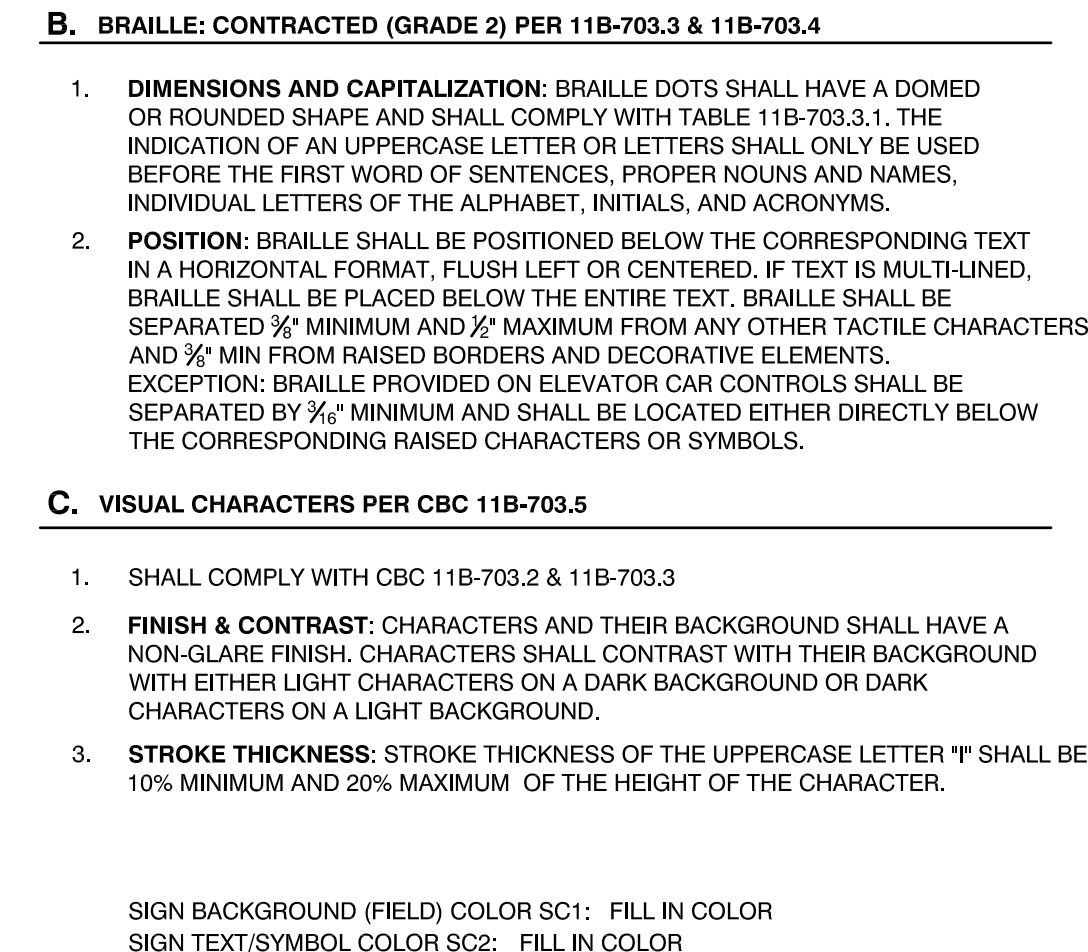
S4 Womens Restroom Signage
SCALE: AS NOTED



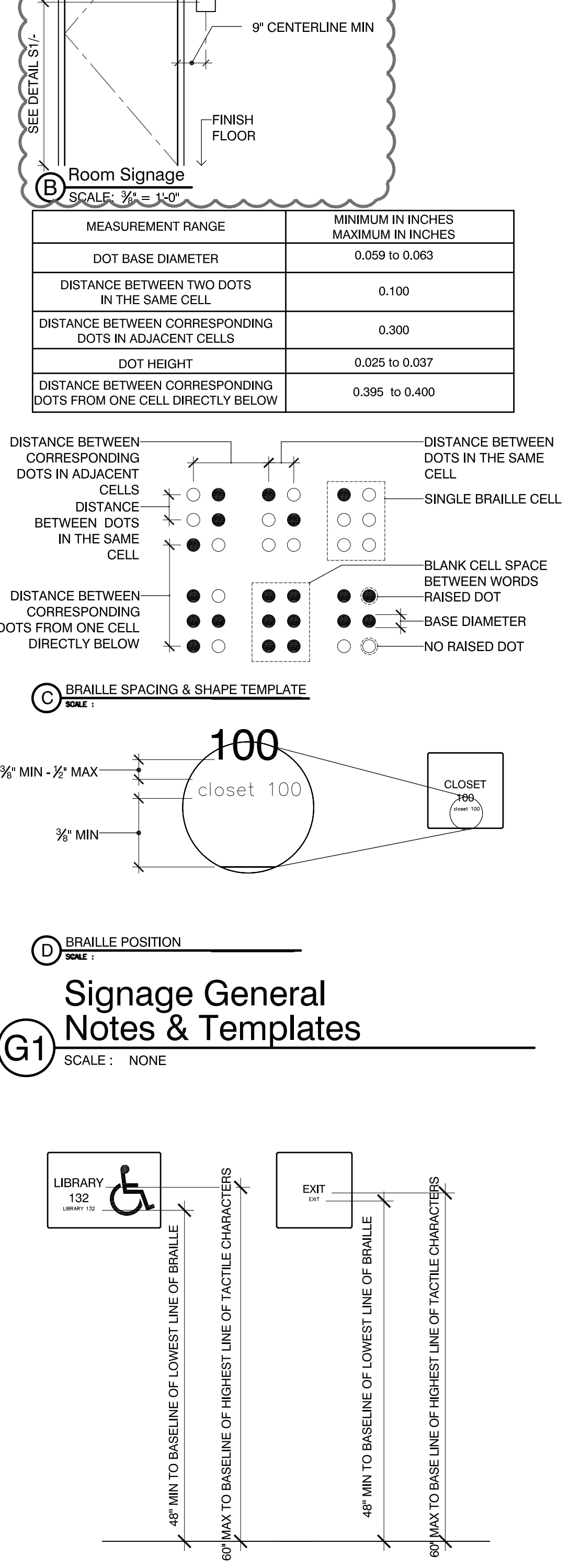
S5 Mens Restroom Signage
SCALE: AS NOTED



S1 Typ Mounting Hgt. Requirements
SCALE: AS NOTED



G1 Signage General Notes & Templates
SCALE: NONE



- A. RAISED CHARACTERS PER CBC 11B-703.2**
- DEPTH: RAISED CHARACTERS SHALL BE 1/2" MINIMUM ABOVE THEIR BACKGROUND.
 - CASE: CHARACTERS SHALL BE UPPERCASE.
 - STYLE: CHARACTERS SHALL BE SANS SERIF. CHARACTERS SHALL NOT BE ITALIC, OBLIQUE, SCRIPT, HIGHLY DECORATIVE, OR OF OTHER UNUSUAL FORMS.
 - CHARACTER PROPORTIONS: CHARACTERS SHALL BE SELECTED FROM FONTS WHERE THE WIDTH OF THE UPPERCASE LETTER 'I' IS 60% MINIMUM AND 110% MAXIMUM OF THE HEIGHT OF THE UPPERCASE LETTER 'T'.
 - CHARACTER HEIGHT: CHARACTER HEIGHT MEASURED VERTICALLY FROM THE BASELINE OF THE CHARACTER SHALL BE 1/2" MINIMUM AND 2" MAXIMUM BASED ON THE HEIGHT OF THE UPPERCASE LETTER 'T'.
 - STROKE THICKNESS: STROKE THICKNESS OF THE UPPERCASE LETTER 'I' SHALL BE 15% MAXIMUM OF THE HEIGHT OF THE CHARACTER.
 - CHARACTER SPACING: CHARACTER SPACING SHALL BE MEASURED BETWEEN THE TWO CLOSEST POINTS OF ADJACENT RAISED CHARACTERS WITHIN A MESSAGE, EXCLUDING WORD SPACES, WHERE CHARACTERS HAVE RECTANGULAR CROSS SECTIONS. SPACING BETWEEN INDIVIDUAL RAISED CHARACTERS SHALL BE 1/2" MIN AND 4 TIMES THE RAISED CHARACTER STROKE WIDTH MAXIMUM. WHERE CHARACTERS HAVE OTHER CROSS SECTIONS, SPACING BETWEEN INDIVIDUAL RAISED CHARACTERS SHALL BE 1/2" MIN AND 4 TIMES THE RAISED CHARACTER STROKE WIDTH MAX AT THE BASE OF THE CROSS SECTIONS, AND 1/2" MINIMUM AND 4 TIMES THE RAISED CHARACTER STROKE WIDTH MAXIMUM AT THE TOP OF THE CROSS SECTIONS. CHARACTERS SHALL BE SEPARATED FROM RAISED BORDERS AND DECORATIVE ELEMENTS 1/2" MIN.
 - LINE SPACING: SPACING BETWEEN THE BASELINES OF SEPARATE LINES OF RAISED CHARACTERS WITHIN A MESSAGE SHALL BE 150% MINIMUM AND 170% MAXIMUM OF THE RAISED CHARACTER HEIGHT.
 - FORMAT: TEXT SHALL BE IN A HORIZONTAL FORMAT.
- B. BRAILLE: CONTRACTED (GRADE 2) PER 11B-703.3 & 11B-703.4**
- DIMENSIONS AND CAPITALIZATION: BRAILLE DOTS SHALL HAVE A DOMED OR ROUNDED SHAPE AND SHALL COMPLY WITH TABLE 11B-703.3.1. THE INDICATION OF AN UPPERCASE LETTER OR LETTERS SHALL ONLY BE USED BEFORE THE FIRST WORD OF SENTENCES, PROPER NOUNS AND NAMES, INDIVIDUAL LETTERS OF THE ALPHABET, INITIALS, AND ACRONYMS.
 - POSITION: BRAILLE SHALL BE POSITIONED BELOW THE CORRESPONDING TEXT IN A HORIZONTAL FORMAT, FLUSH LEFT OR CENTERED. IF TEXT IS MULTI-LINED, BRAILLE SHALL BE PLACED BELOW THE ENTIRE TEXT. BRAILLE SHALL BE SEPARATED 1/2" MINIMUM AND 1/2" MAXIMUM FROM ANY OTHER TACTILE CHARACTERS AND 1/2" MIN FROM RAISED BORDERS AND DECORATIVE ELEMENTS. EXCEPTION: BRAILLE PROVIDED ON ELEVATOR CAR CONTROLS SHALL BE SEPARATED BY 1/2" MINIMUM AND SHALL BE LOCATED EITHER DIRECTLY BELOW THE CORRESPONDING RAISED CHARACTERS OR SYMBOLS.
- C. VISUAL CHARACTERS PER CBC 11B-703.5**
- SHALL COMPLY WITH CBC 11B-703.2 & 11B-703.3
 - FINISH & CONTRAST: CHARACTERS AND THEIR BACKGROUND SHALL HAVE A NON-GLARE FINISH. CHARACTERS SHALL CONTRAST WITH THEIR BACKGROUND WITH EITHER LIGHT CHARACTERS ON A DARK BACKGROUND OR DARK CHARACTERS ON A LIGHT BACKGROUND.
 - STROKE THICKNESS: STROKE THICKNESS OF THE UPPERCASE LETTER 'I' SHALL BE 10% MINIMUM AND 20% MAXIMUM OF THE HEIGHT OF THE CHARACTER.



KRUGER BENSEN ZIEMER ARCHITECTS, INC. AIA
1599 FELDFORD ST., SUITE 100A VENTURA, CA 93001
TELEPHONE (805) 650-1033
TODD A. JESPERSEN, AIA
PRINCIPAL ARCHITECT
JONATHAN D. LEE
ARCHITECTURAL ASSISTANT

All ideas, design arrangements and plans indicated or represented by this drawing are owned by and are the property of KrugerBensenZiemer, AIA, architect, and were created, edited and developed for use on, and in connection with, the specified project. None of such ideas, designs, arrangements or plans shall be used for any other project, firm or corporation for any purpose whatsoever without the written permission of KrugerBensenZiemer.



REVISIONS

NO.	DATE	BY	DESCRIPTION
1	9/11/19	TJ	REVISION

DRAWN PP/JL
CHECKED TJ
DATE 1/19/2018
JOB NO. 18015

SHEET DETAILS
TITLE

SHEET